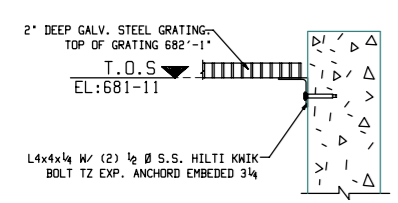
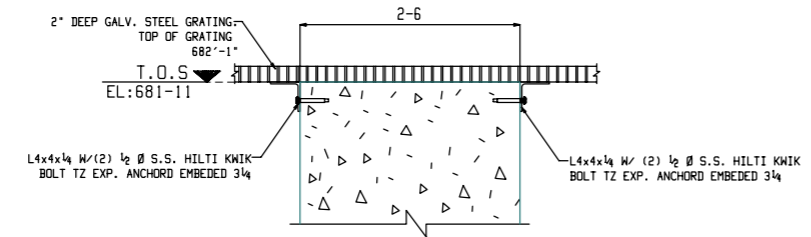


GRATING SUPPORT ANGLE FRAMING PLAN

(REF: 1/F2S-110270)

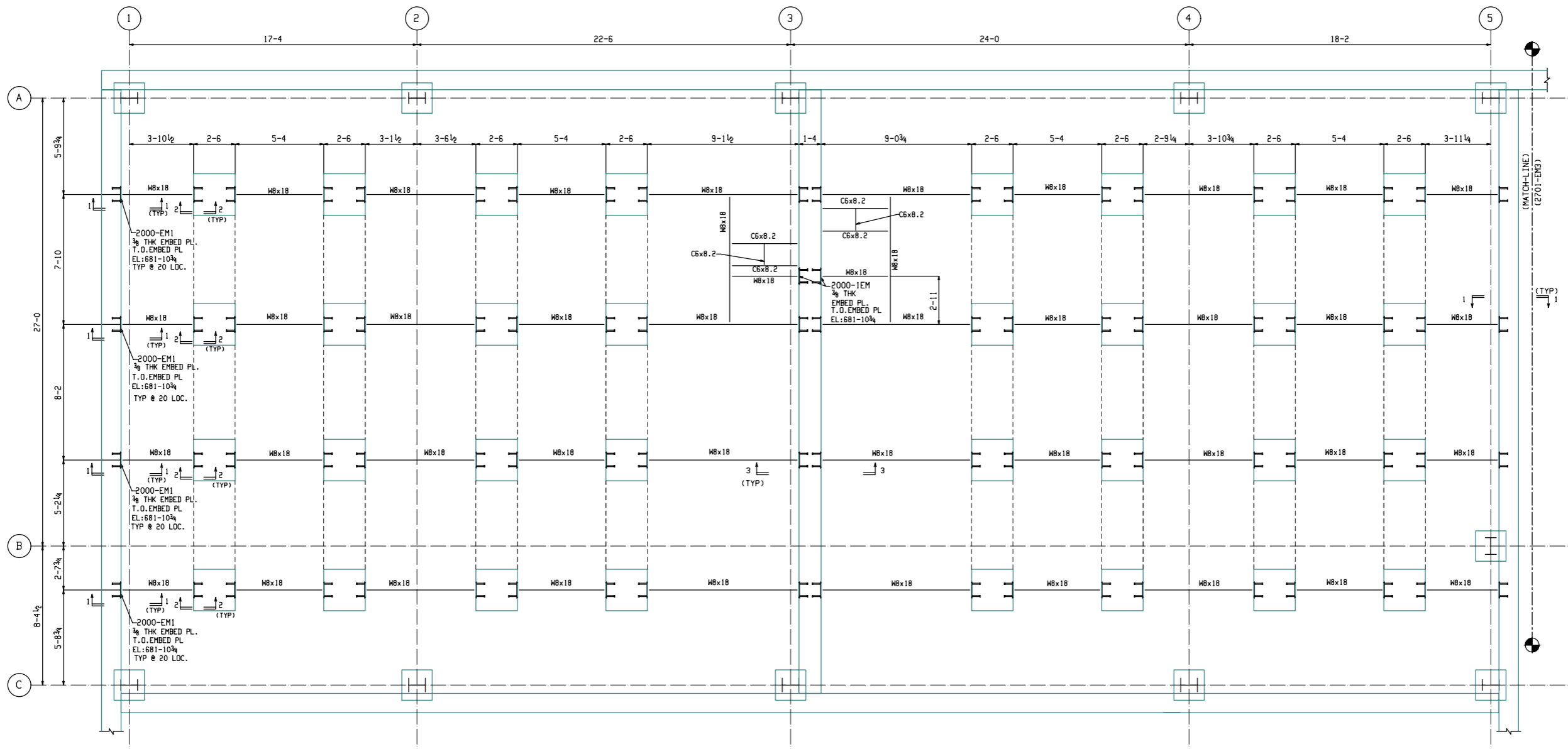


SECTION 1  
(REF: 1005/F2S-510001)



SECTION 2  
(REF: 1014/F2S-510002)

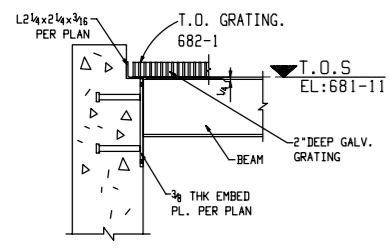
PLAN NOTE:  
1. SEE 1000-E1 FOR TYP SECTIONS.



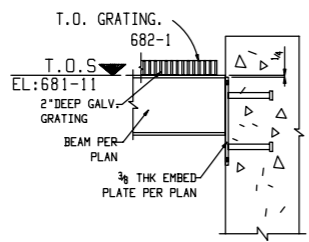
EMBED FRAMING PLAN  
(REF: 1/F25-110270)



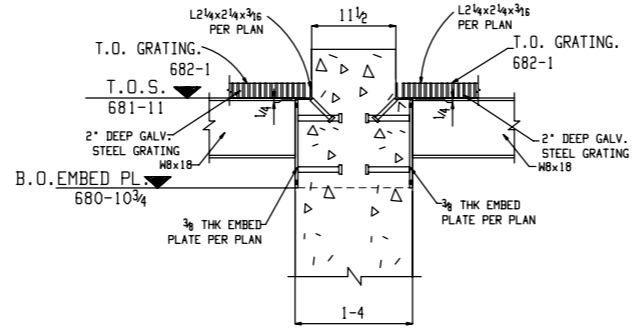
PLAN NOTE:  
1. SEE 2000-EM2 FOR SECTI



SECTION 1

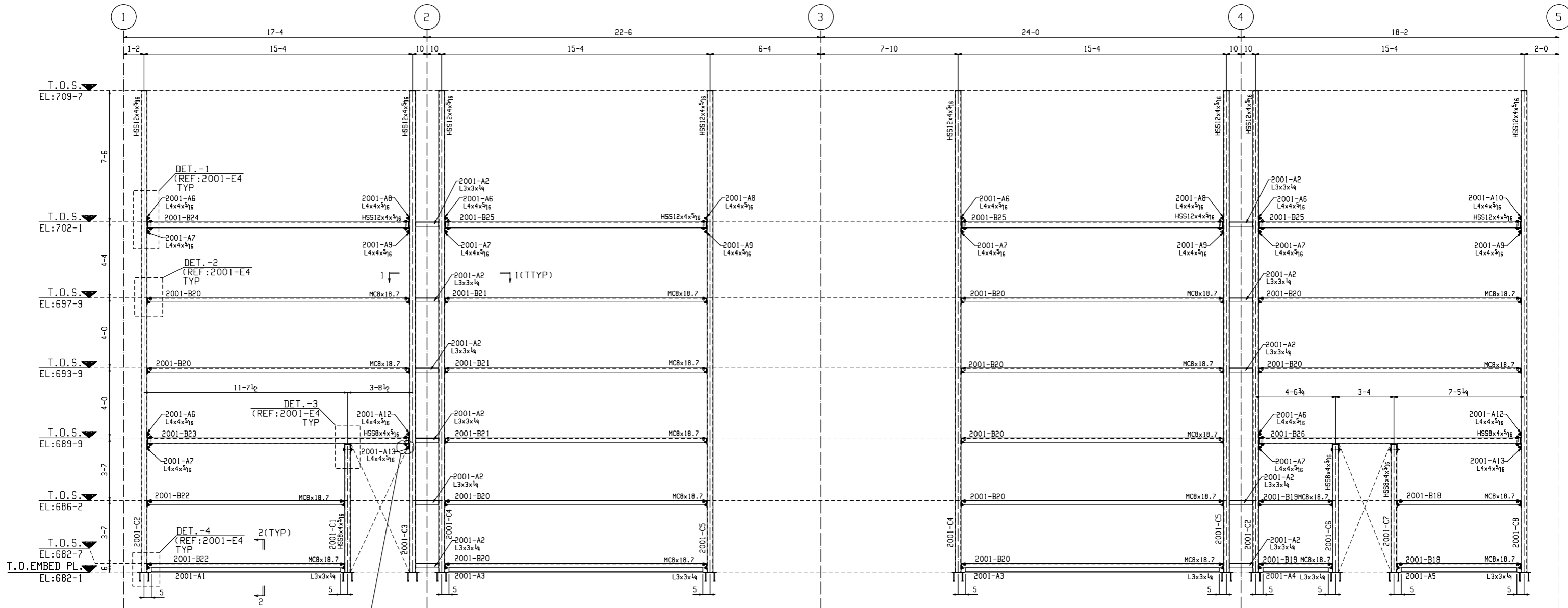


SECTION 2



SECTION 3

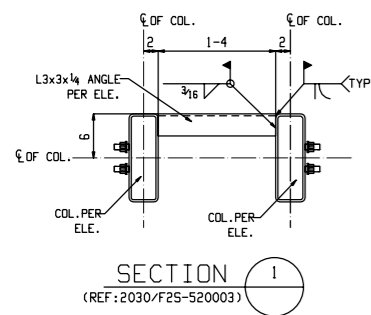




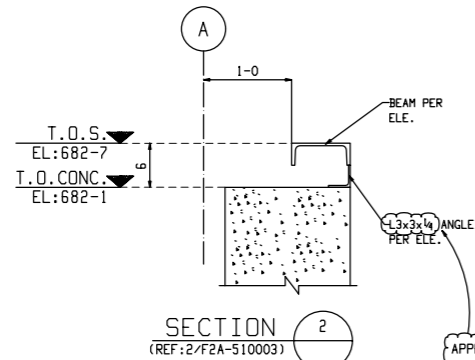
ELEVATION-1  
(REF: 2038/F25-520004)



NOTE:  
1. SEE 2001-E3 FOR SECTIONS & DETAIL

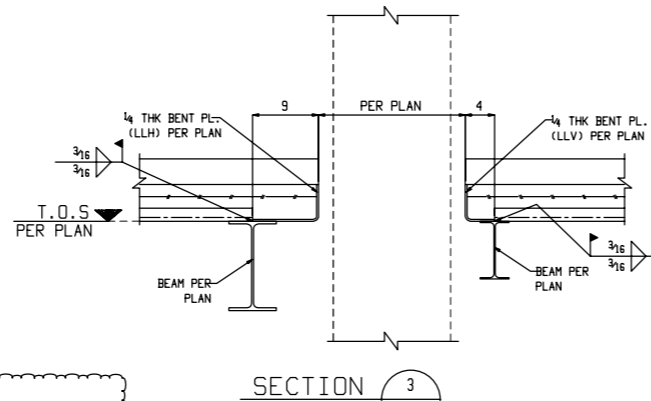


SECTION 1  
(REF:2030/F25-520003)

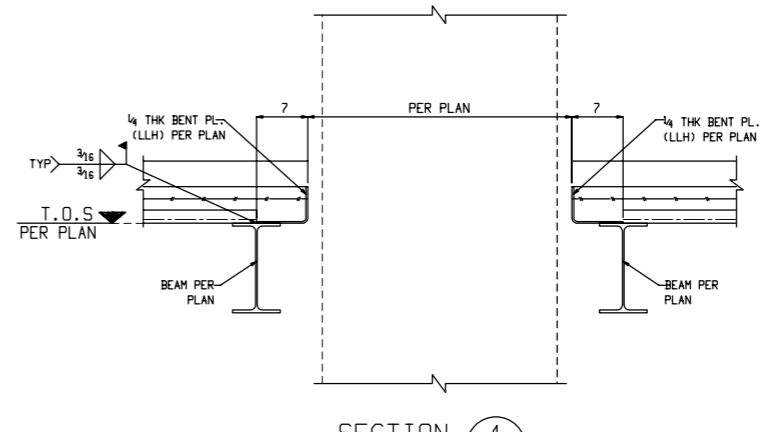


SECTION 2  
(REF:2/F2A-510003)

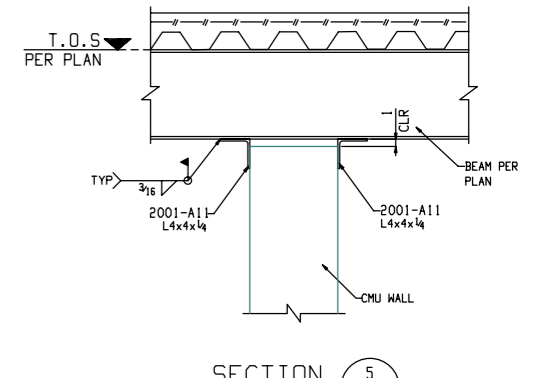
APPROVER:  
PLEASE PROVIDE CONNECTION  
FOR ANGLE.



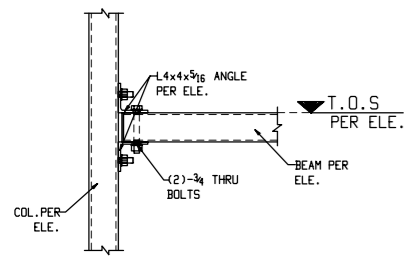
SECTION 3  
(REF:2055/F25-520005)



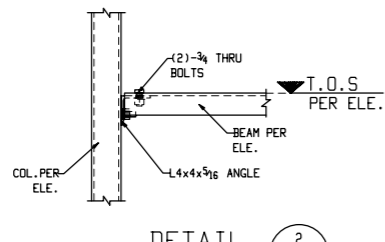
SECTION 4  
(REF:2055/F25-520005)



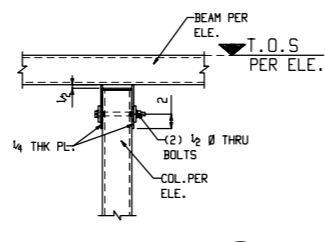
SECTION 5  
(REF:2035/F25-520003)



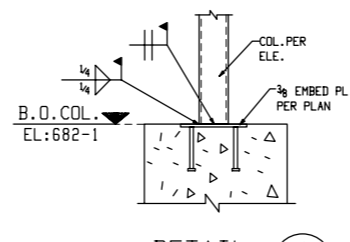
DETAIL 1  
(REF:2040/F25-520004)



DETAIL 2  
(REF:2040/F25-520004)

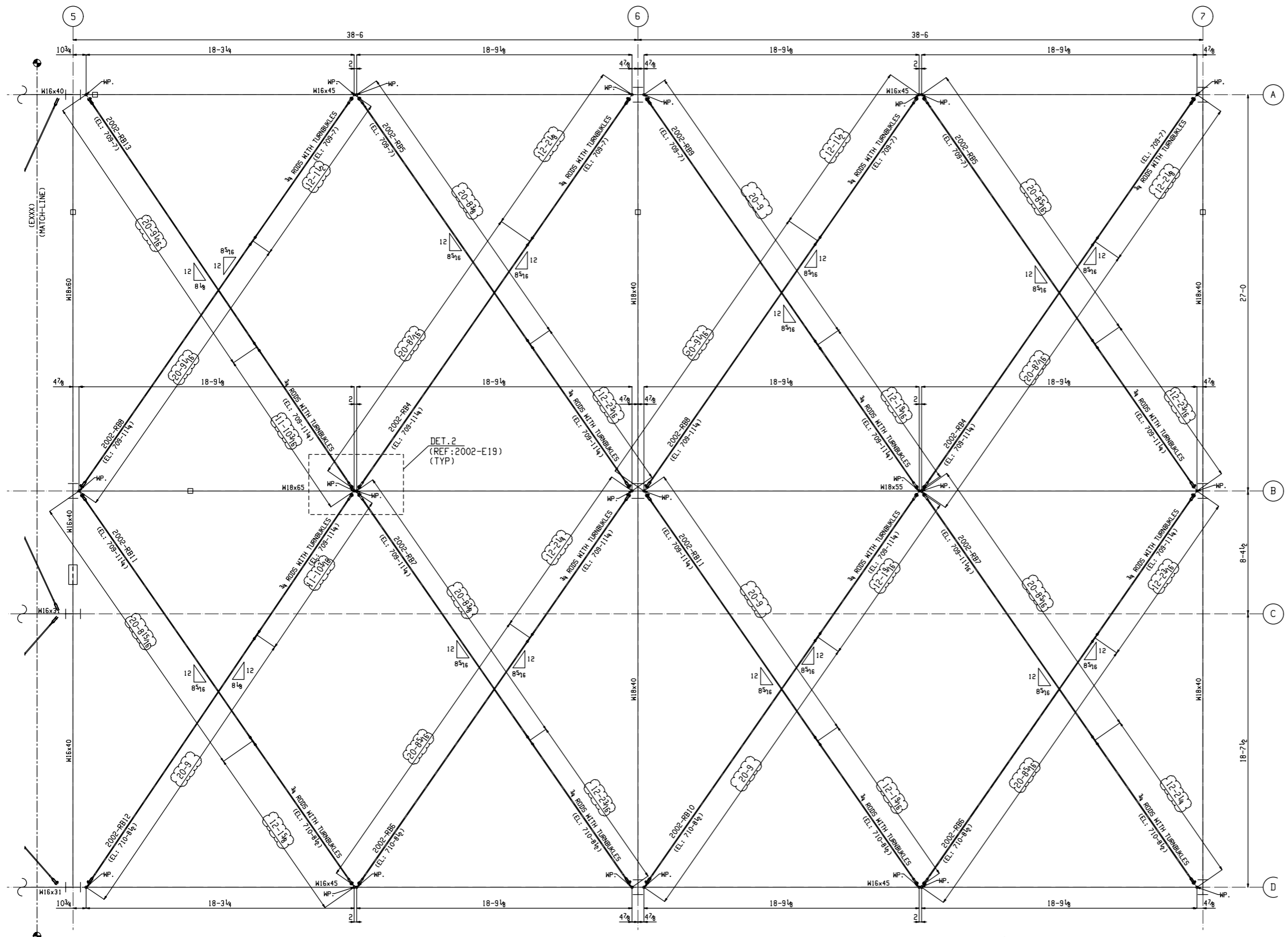


DETAIL 3  
(REF:2041/F25-520004)



DETAIL 4  
(REF:2042/F25-520004)





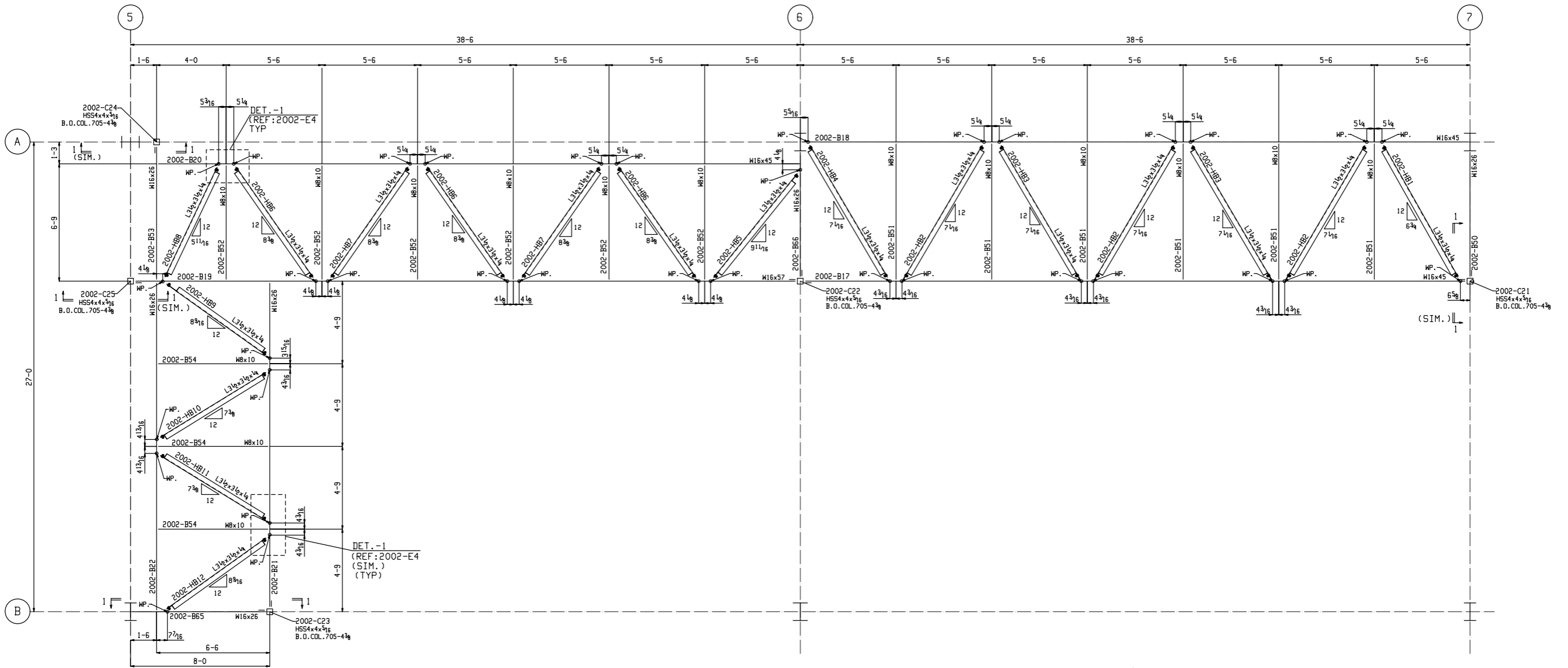
FAB 2 CRITICAL CHEMICAL STORAGE-ROOF ROD BRACE FRAMING PLAN  
 (T.O.S. EL: 711-2 U.N.D.)  
 (REF: 1/F25-120270)



APPROVER:  
 PLEASE REVIEW AND CONFIRM TURN  
 BUCKLE ARRANGEMENT AND SPLICE  
 LOCATION.



PLAN NOTE:  
 1. SEE 2002-E19 FOR TYP DETAIL

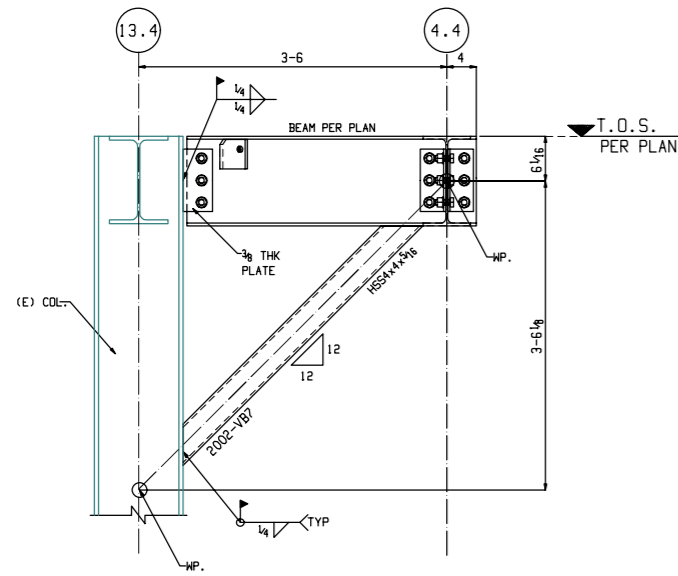


FAB 2 CRITICAL CHEMICAL STORAGE-PIPE RACK FRAMING PLAN

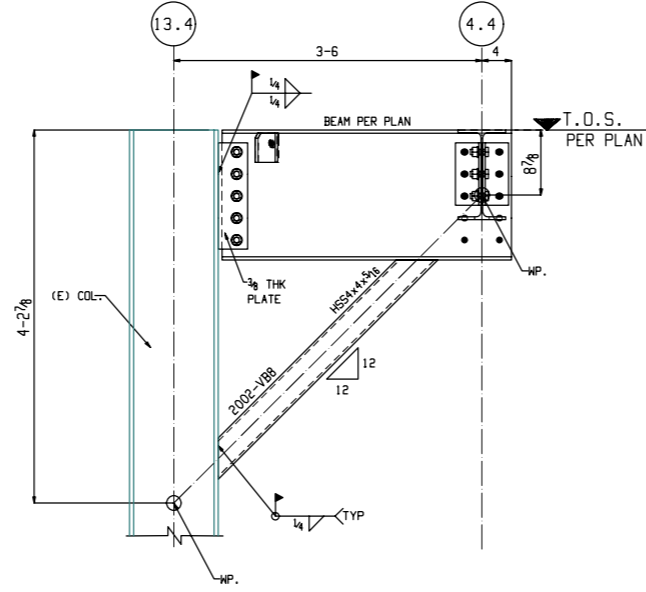
(T.O.S. EL: 706-8½ U.N.O.)  
(REF: 1/F2S-118270)



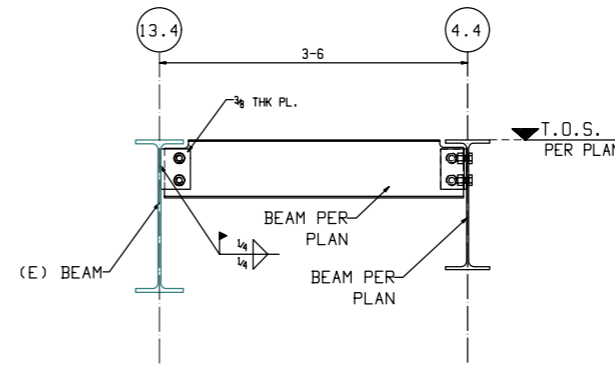
PLAN NOTE:  
1. SEE 2002-E4 FOR SECTION & DETAIL



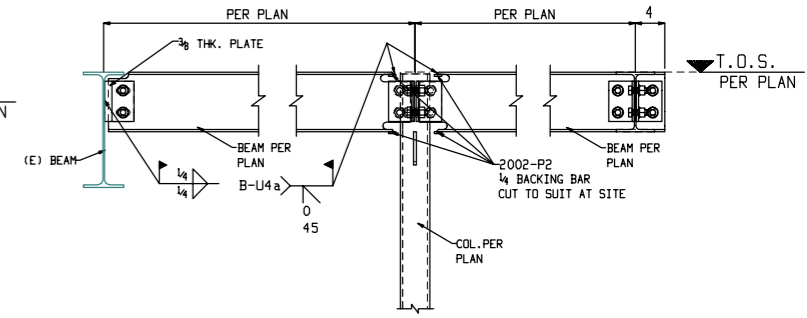
SECTION 1  
(REF: 2045/F25-520004)



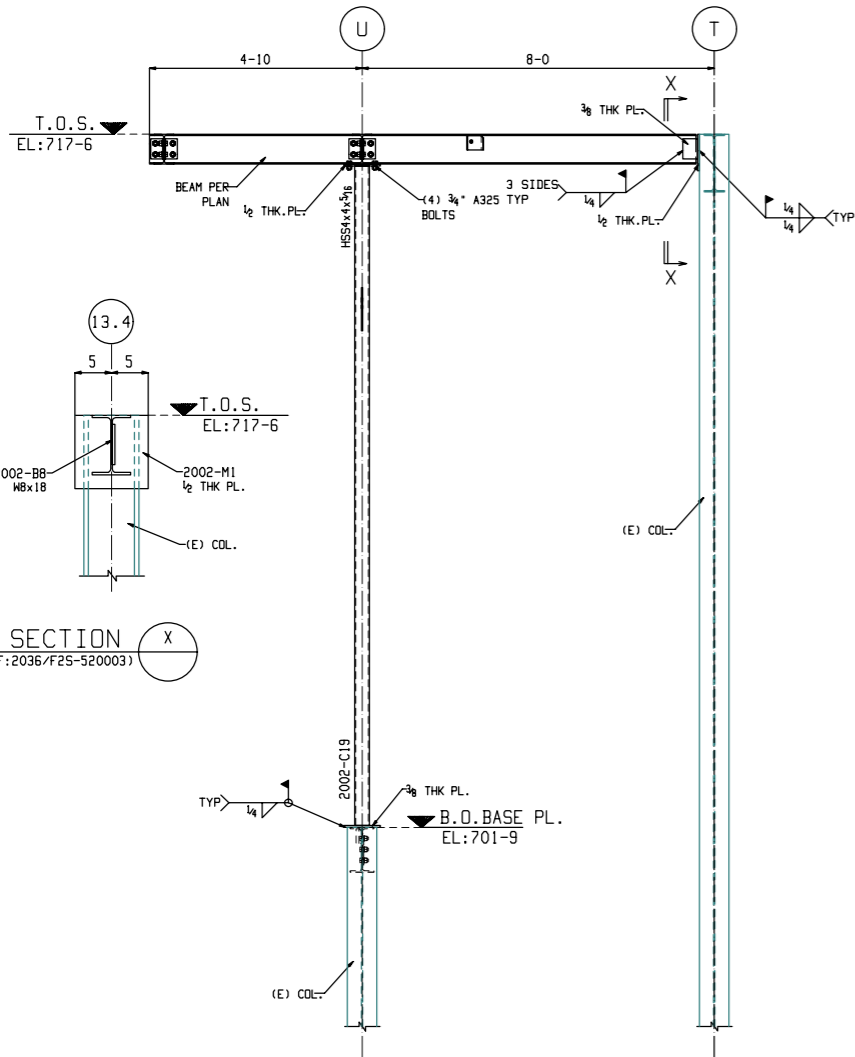
SECTION 2  
(REF: 2045/F25-520004)



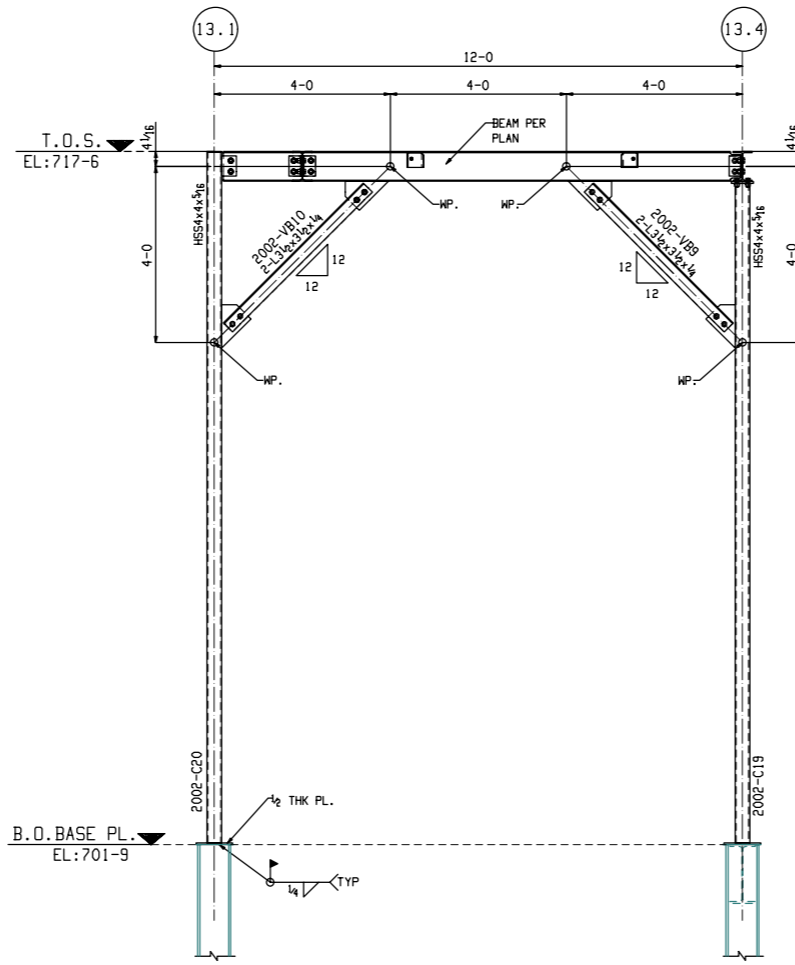
SECTION 3  
(REF: 2043/F25-520004)



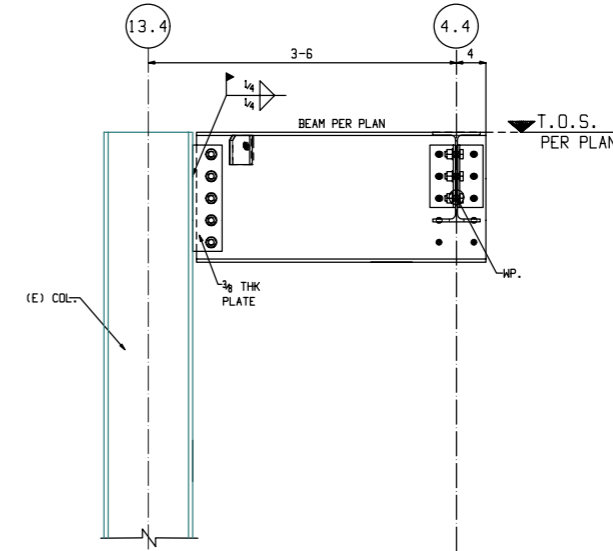
SECTION 4  
(REF: 2056/F25-520005)



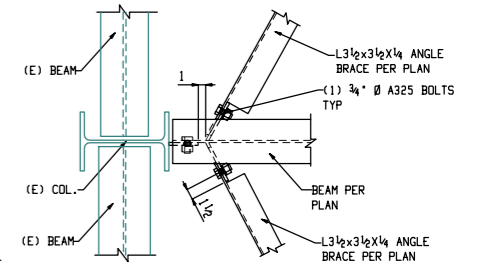
SECTION 5  
(REF: 2036/F25-520003)



SECTION 6  
(REF: 2037/F25-520004)



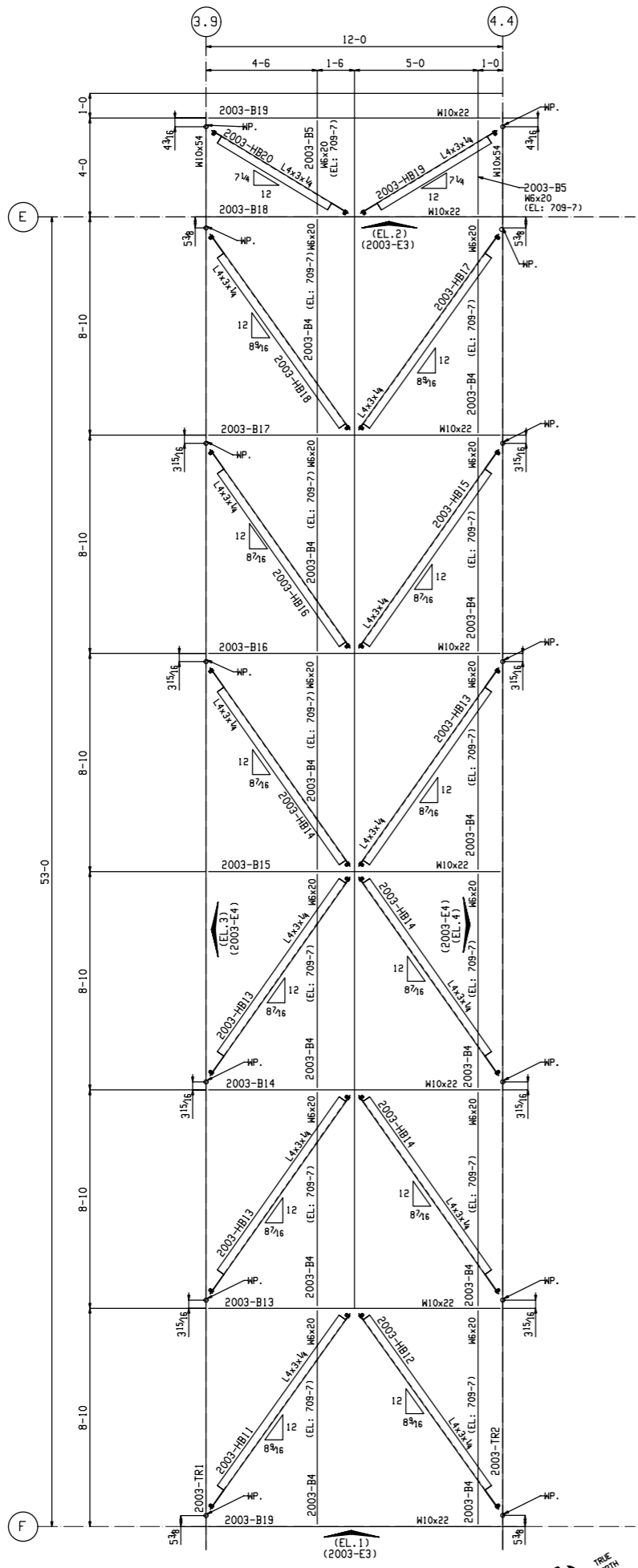
SECTION 7  
(REF: 2045A/F25-520004)



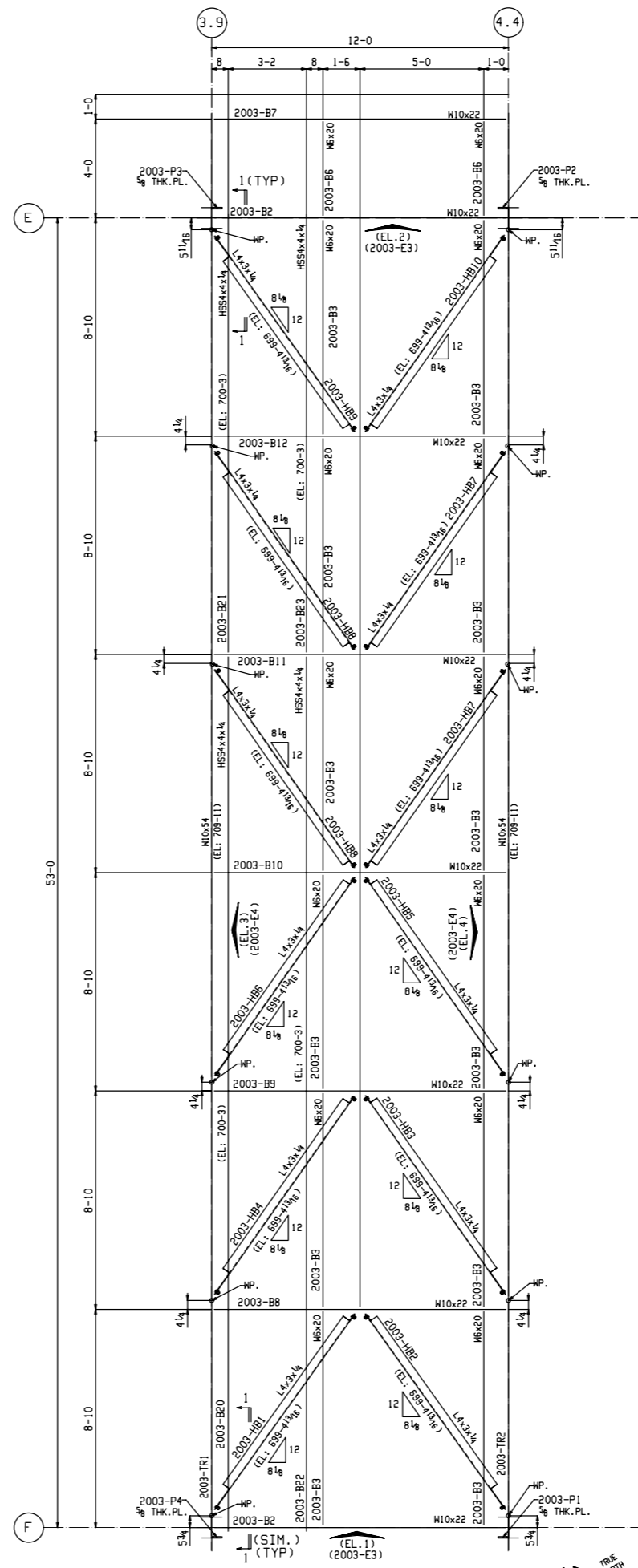
TYP BRACE TO BEAM CONNECTION

DETAIL 1  
(REF: 2053/F25-520005)





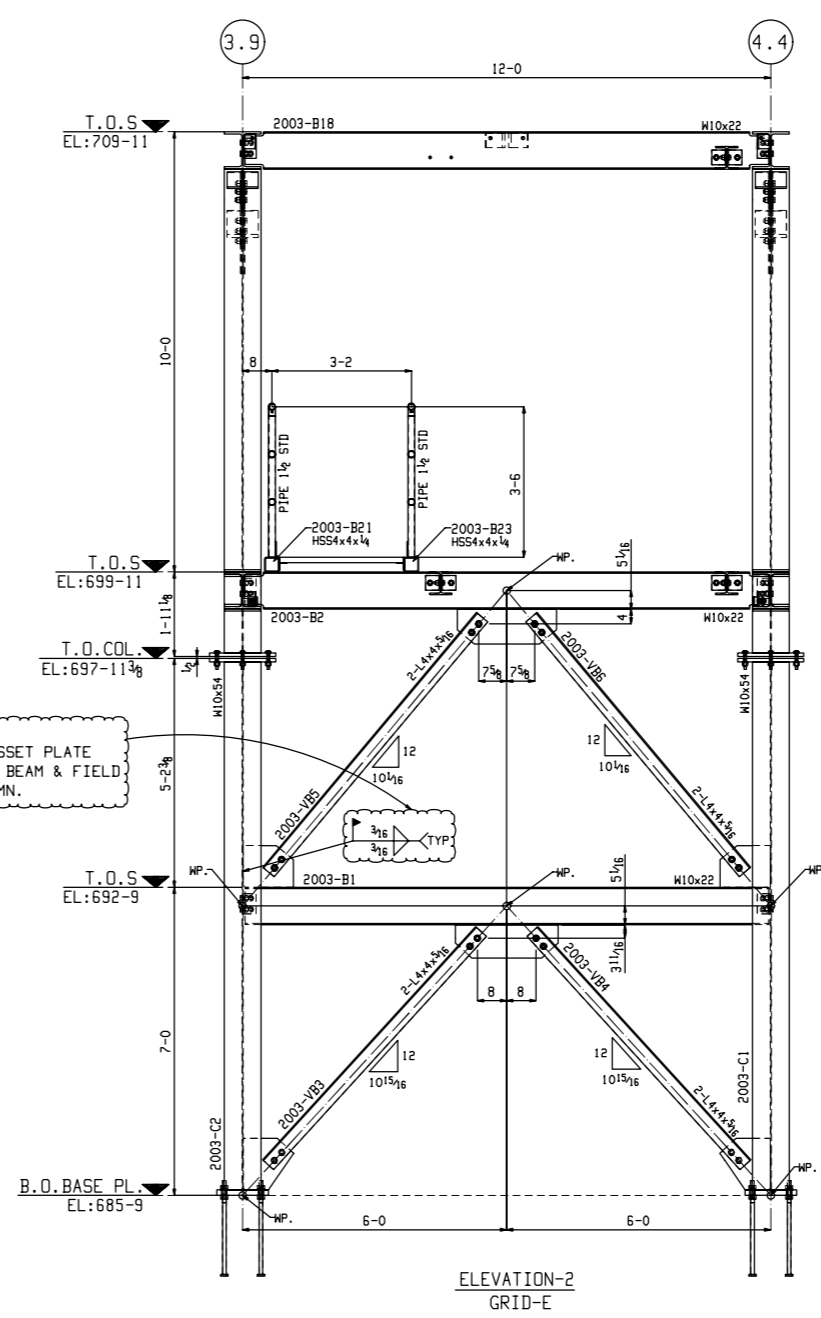
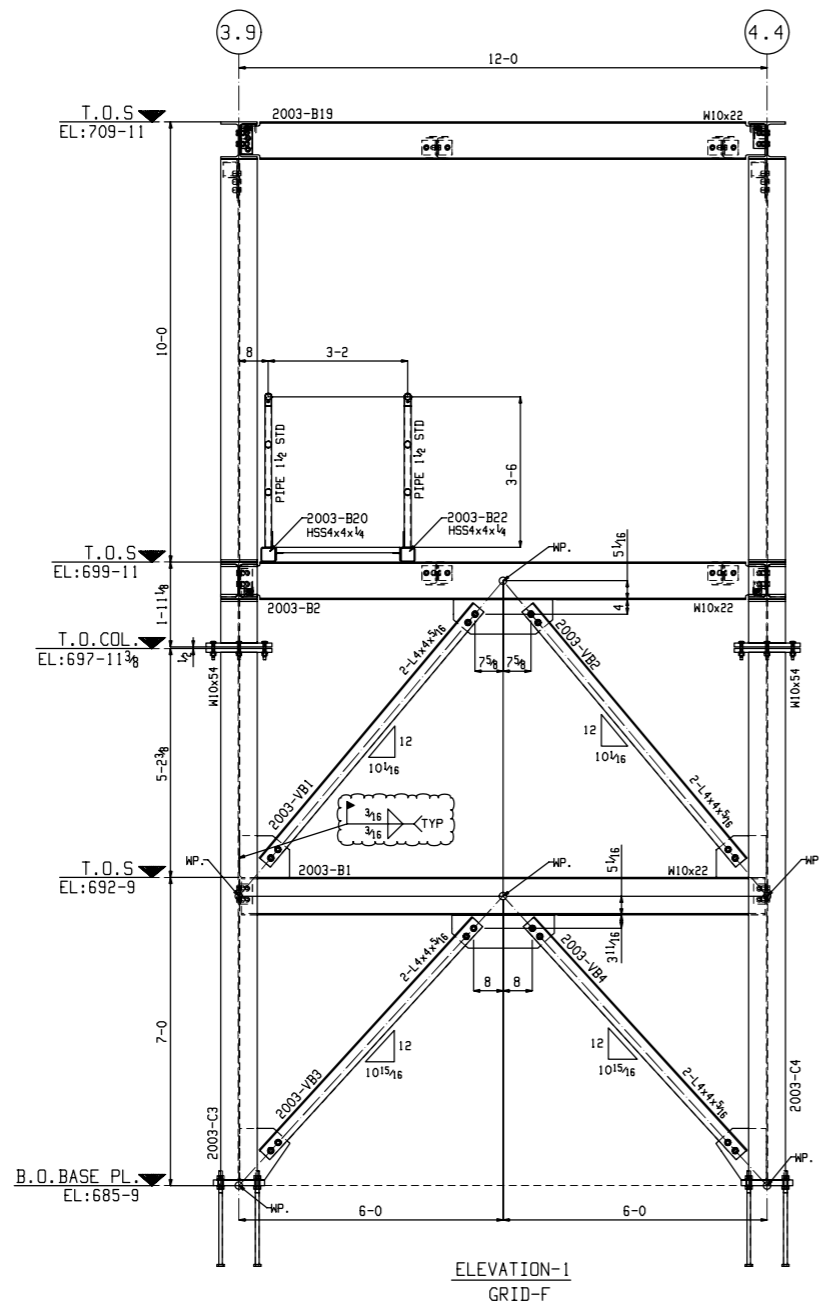
UTILITY BRIDGE FRAMING PLAN  
 (T.O.S EL: 709-11 U.N.O.)  
 (REF: 1/F25-120270)



UTILITY BRIDGE FRAMING PLAN  
 (T.O.S EL: 699-11 U.N.O.)  
 (REF: 1/F25-120270)

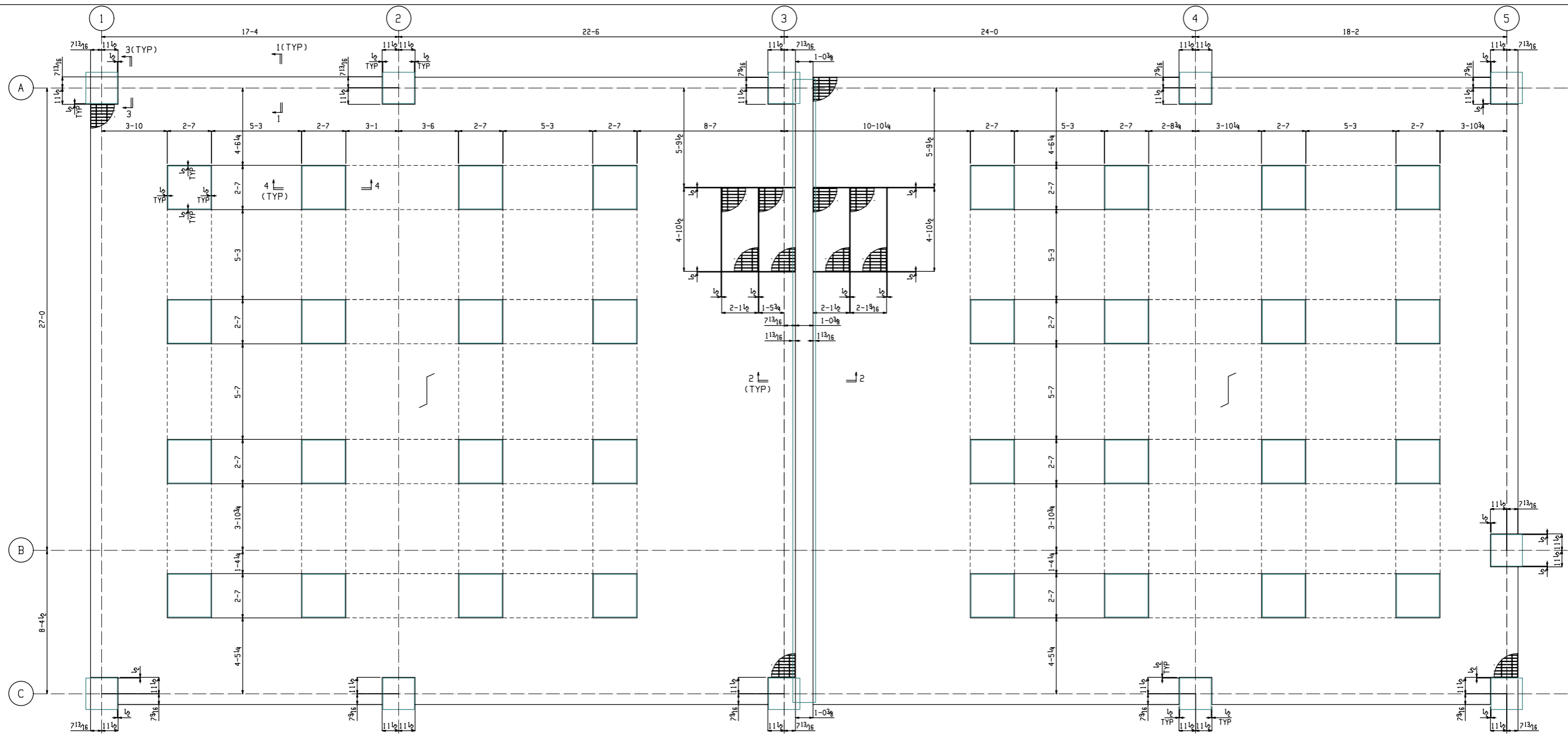


PLAN NOTE:  
 1. SEE 2003-F5 FOR TYP SECTION & DETAIL



APPROVER:  
PLEASE VERIFY GUSSET PLATE  
SHOP WELDED WITH BEAM & FIELD  
WELDED WITH COLUMN.



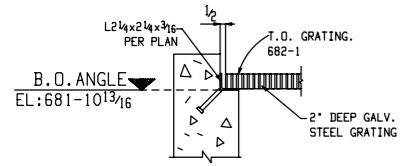


GRATING FRAMING PLAN @ TANK ROOM

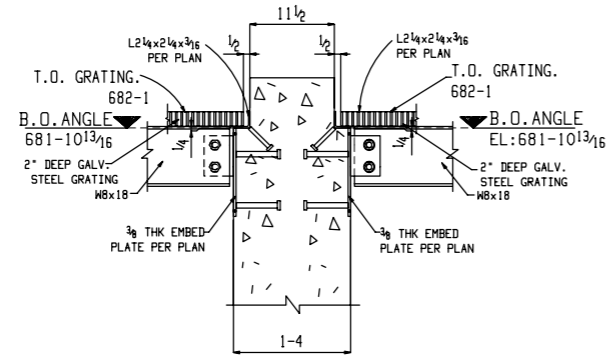
(REF: 1/F25-110270)



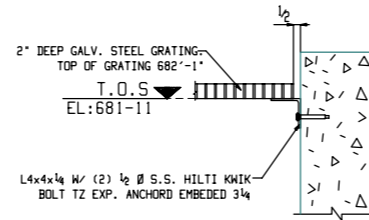
PLAN NOTE:  
1. SEE 2700-E2 FOR SECTION



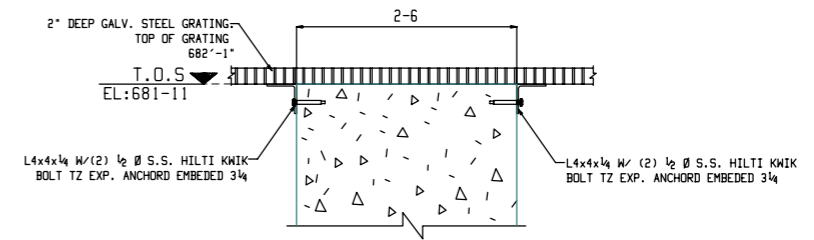
SECTION 1



SECTION 2

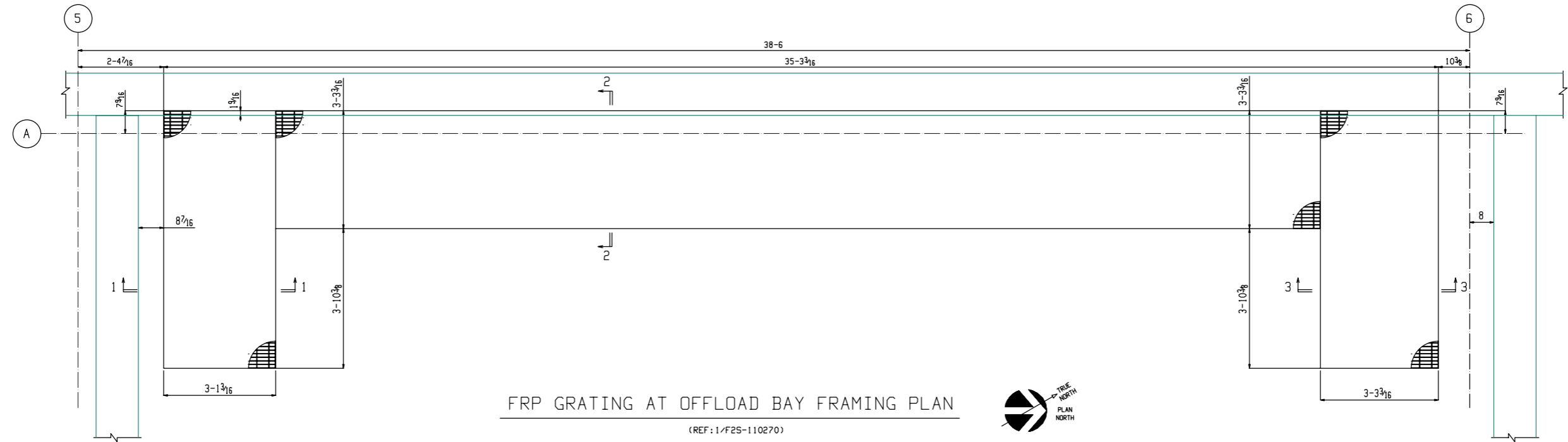


SECTION 3  
(REF: 1005/F25-510002)

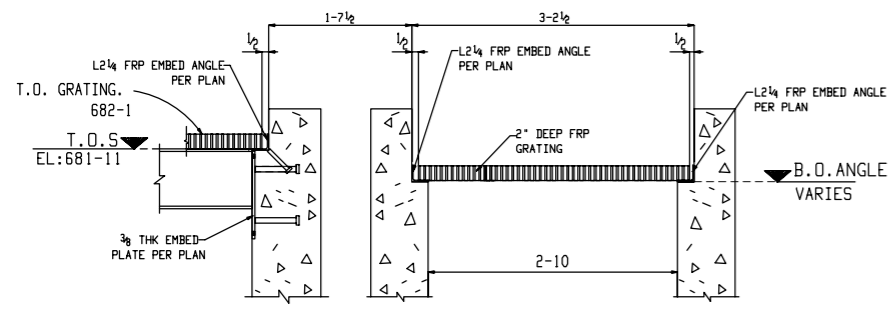


SECTION 4  
(REF: 1014/F25-510002)

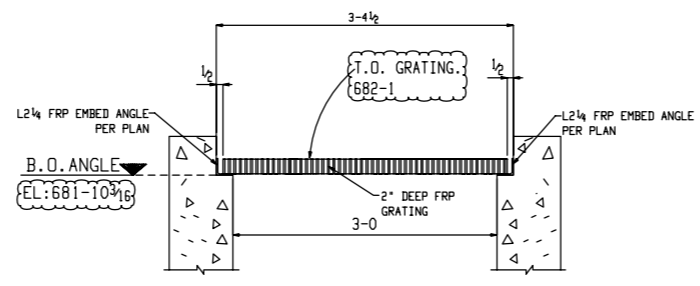




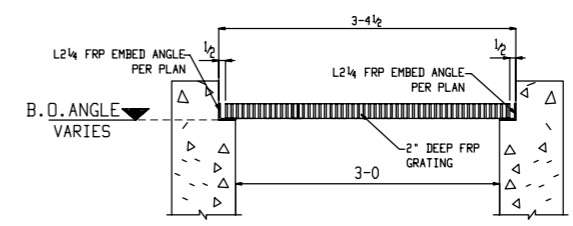
PLAN NOTE:  
1. SEE 2701-E3 FOR SECTIONS.



SECTION 1  
(REF: 1013/F25-510002)

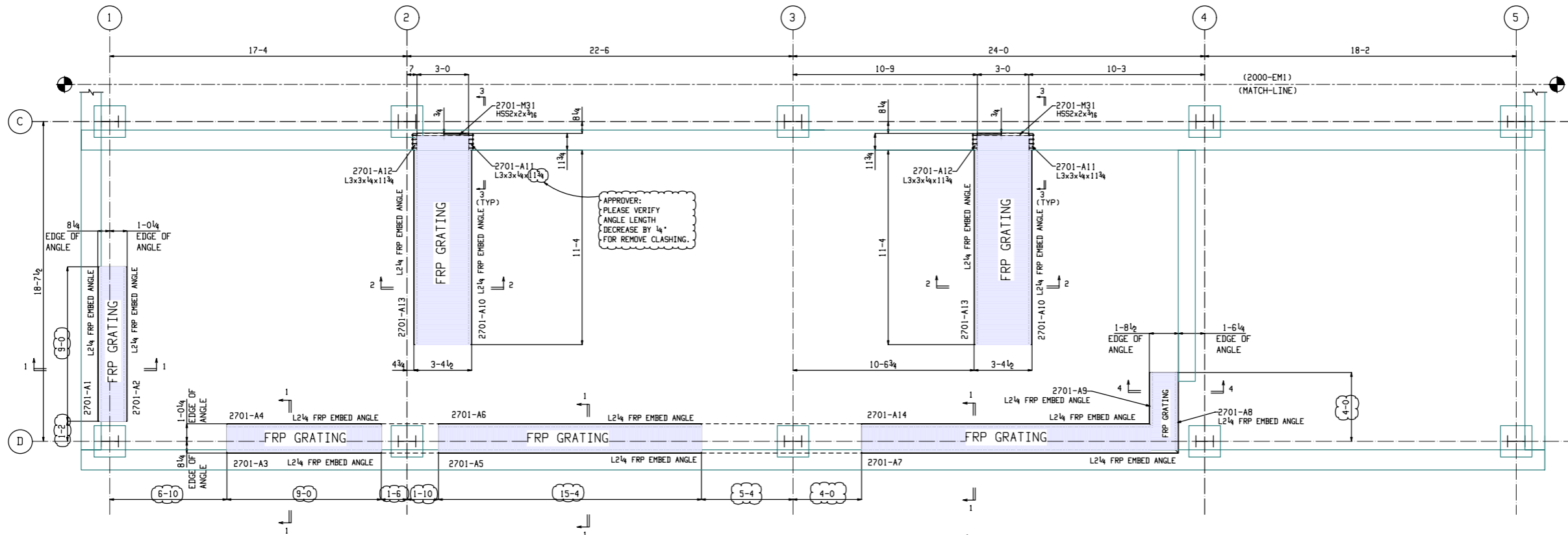


SECTION 2  
(REF: 1018/F25-510002)



SECTION 3  
(REF: 1028/F25-510004)



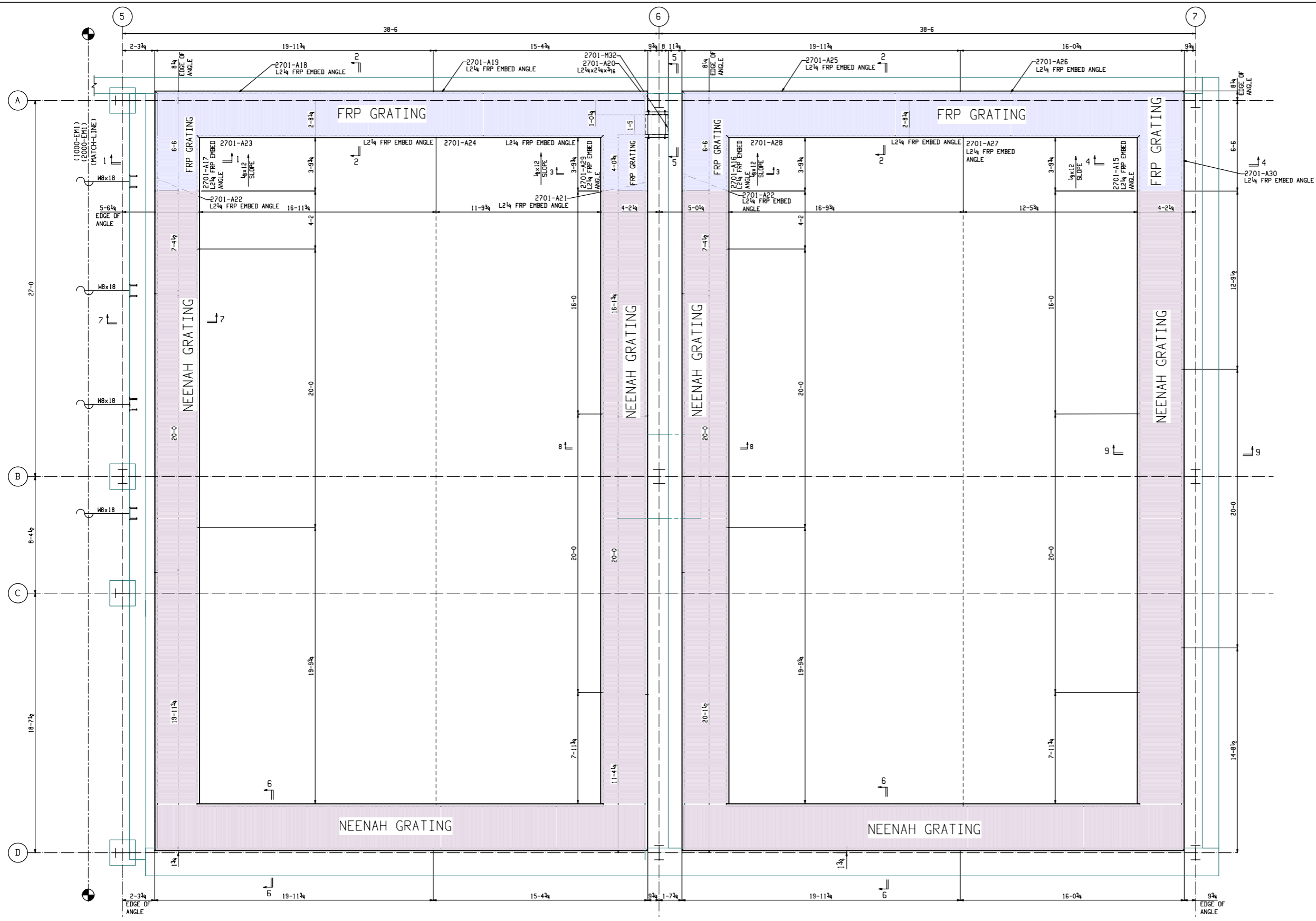


APPROVER:  
PLEASE VERIFY CLOUDED DIMENSION  
PROVIDED PER ARCH. DRAWING

EMBED FRAMING PLAN  
(REF: 1/F2S-110270)



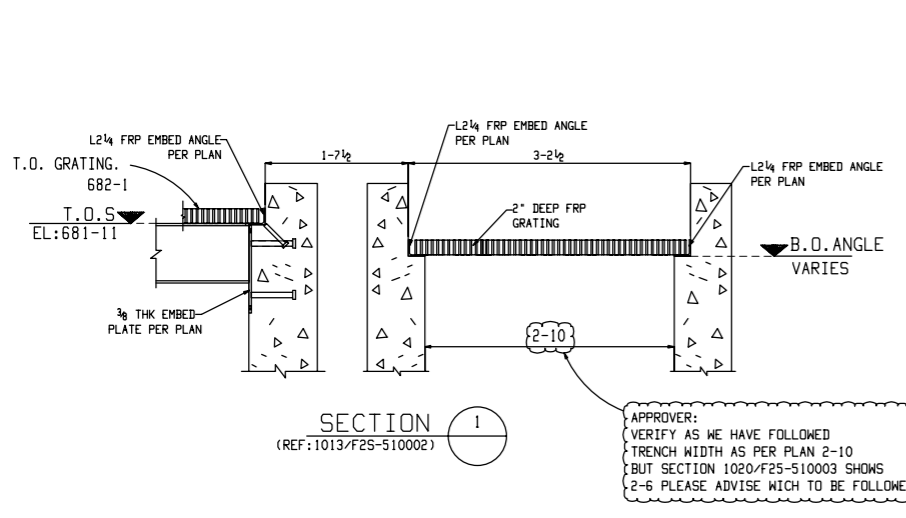
PLAN NOTE:  
1. SEE 2701-EM2 FOR SECTIONS



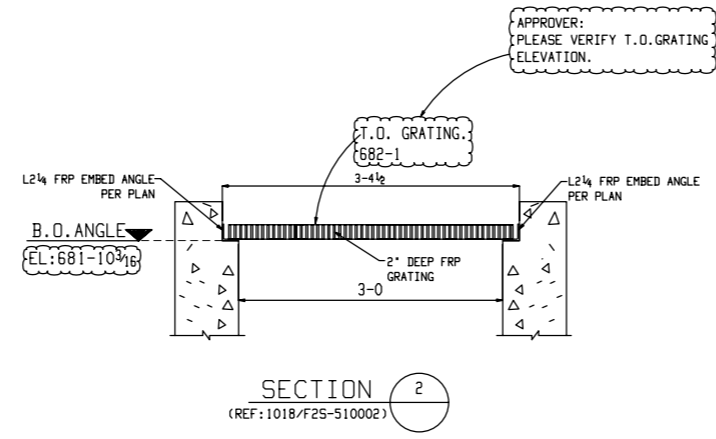
EMBED FRAMING PLAN  
(REF: 1/F25-110270)



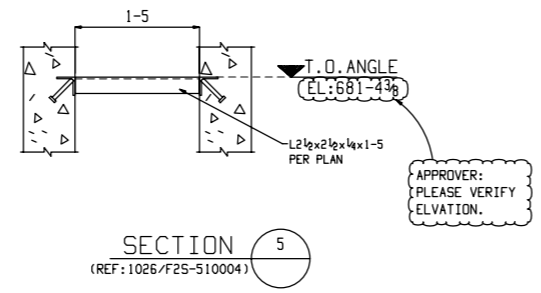
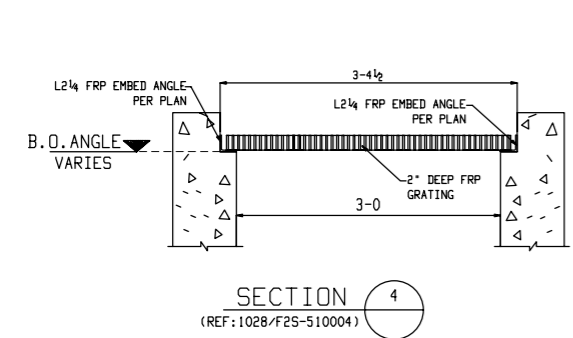
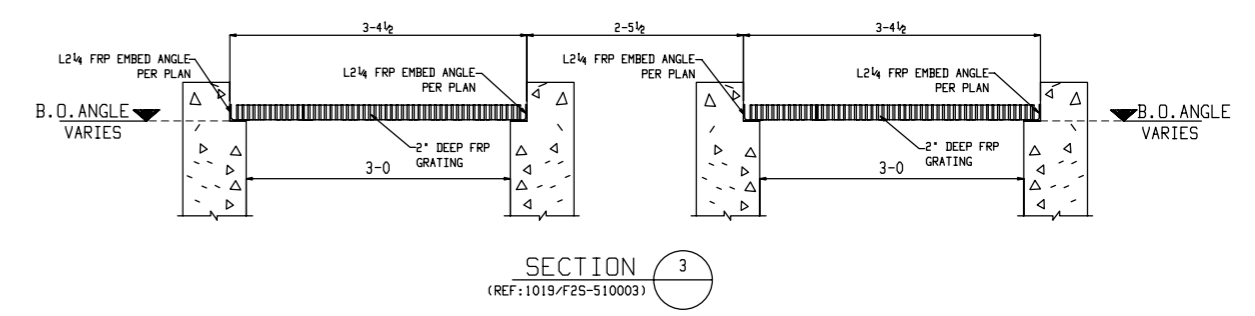
PLAN NOTE:  
1. SEE 2701-EM4 FOR SECTIONS.



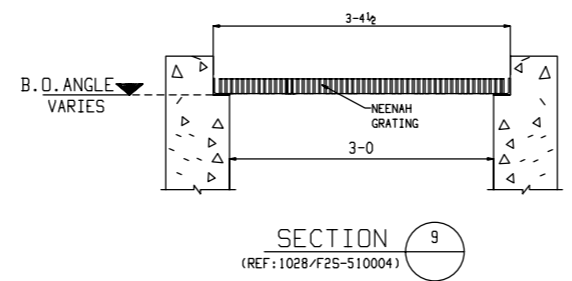
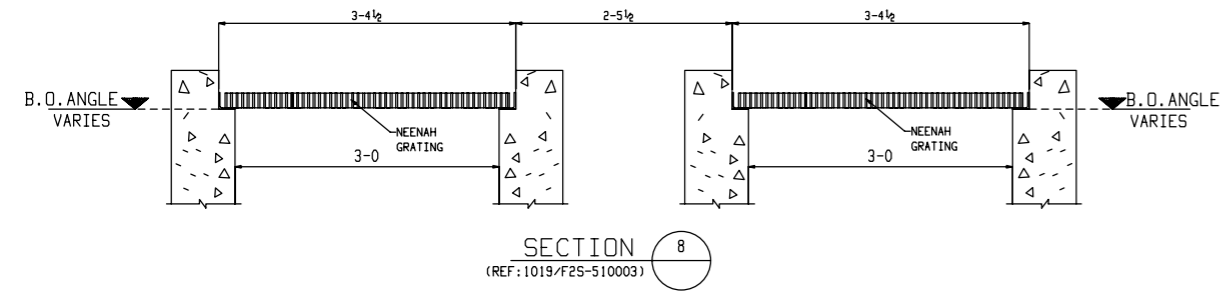
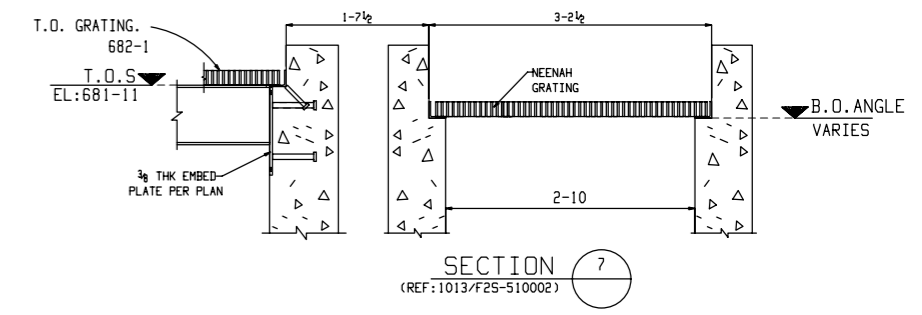
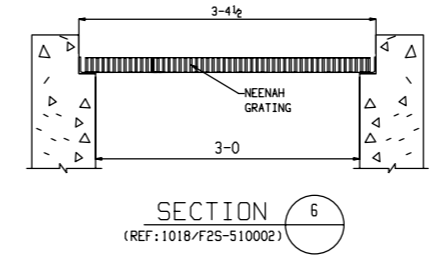
APPROVER:  
VERIFY AS WE HAVE FOLLOWED  
TRENCH WIDTH AS PER PLAN 2-10  
BUT SECTION 1020/F25-510003 SHOWS  
2-6 PLEASE ADVISE WICH TO BE FOLLOWED

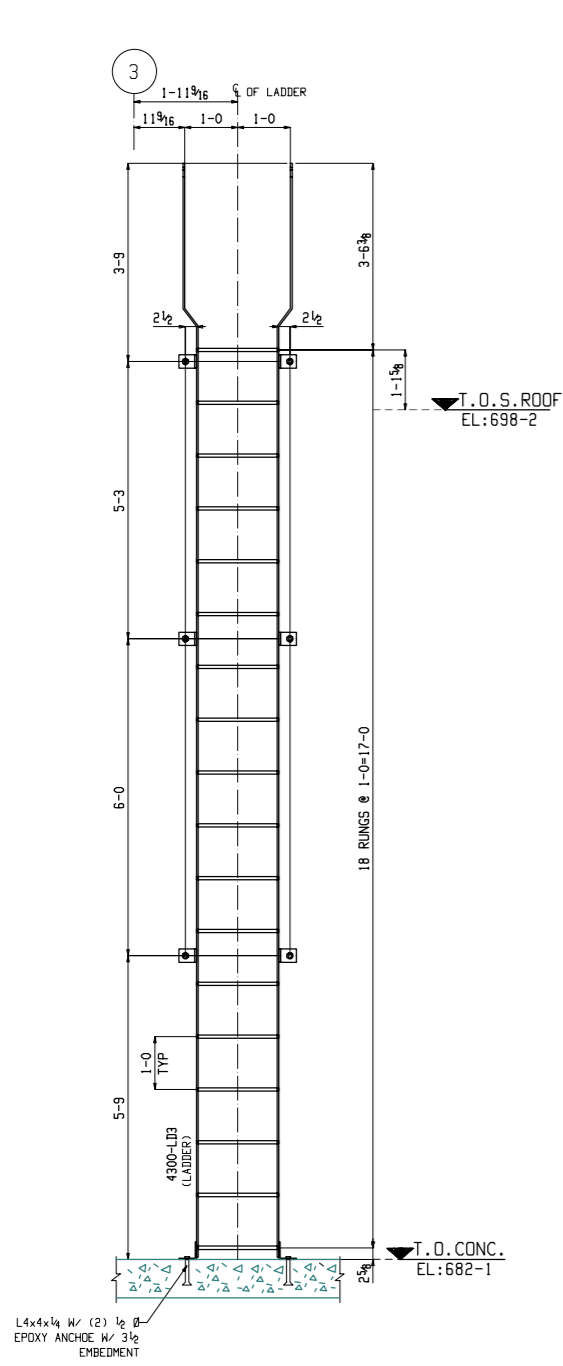


APPROVER:  
PLEASE VERIFY T.O. GRATING  
ELEVATION.

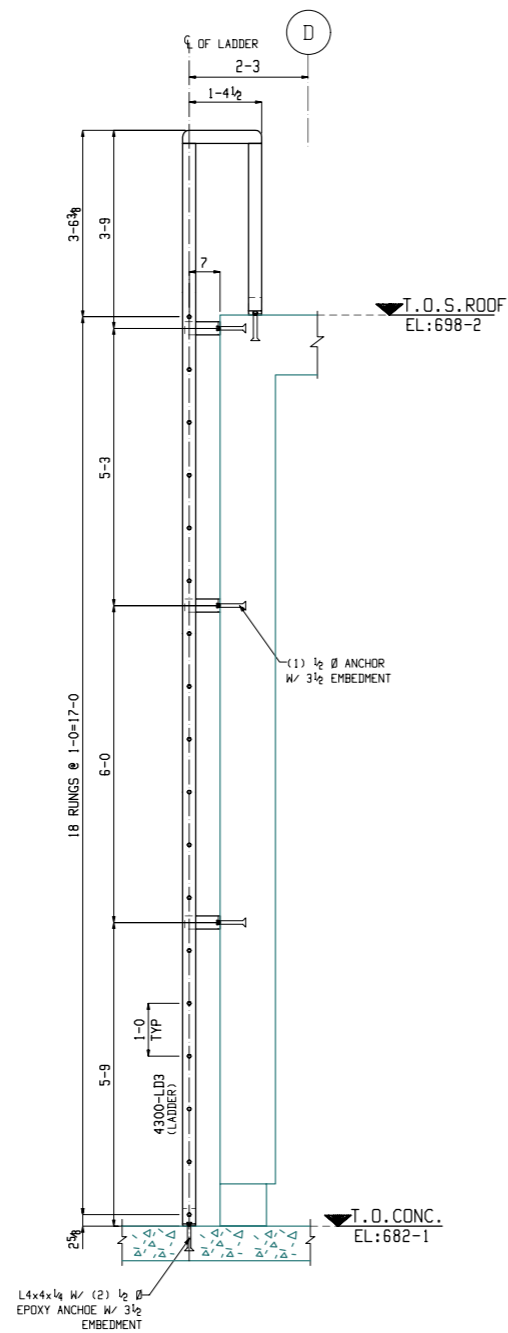


APPROVER:  
PLEASE VERIFY  
ELVATION.

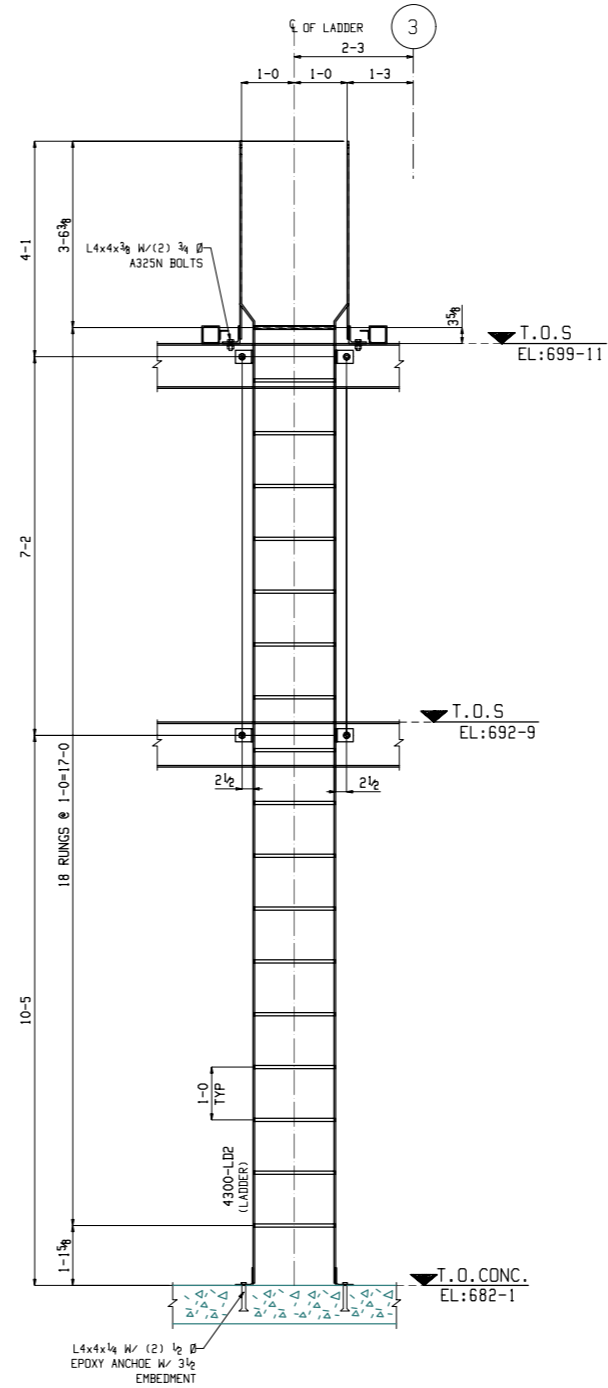




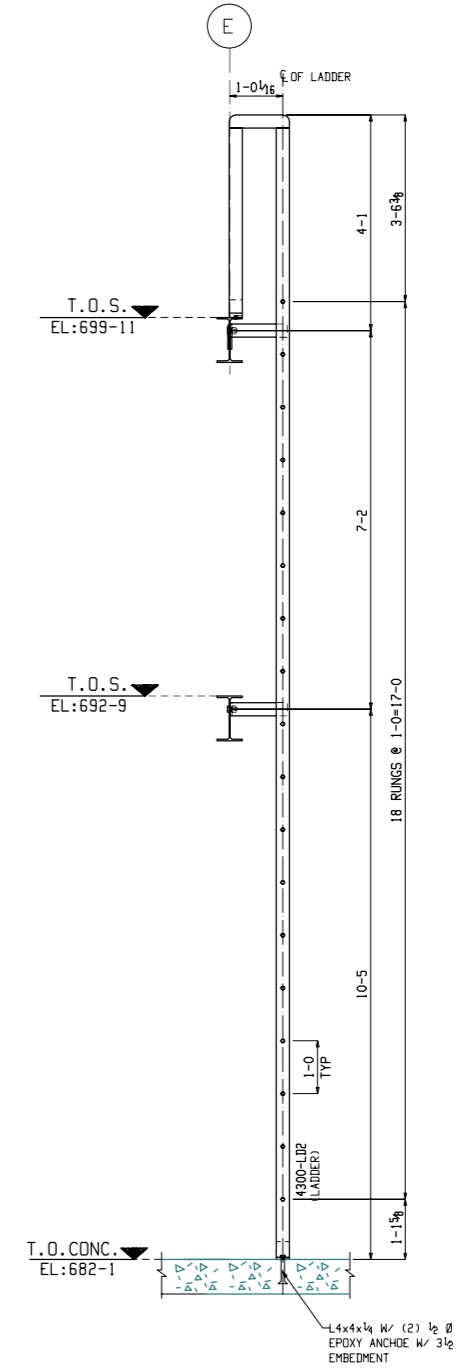
SECTION 1



SECTION 2  
(REF: 1/F2A-310003)



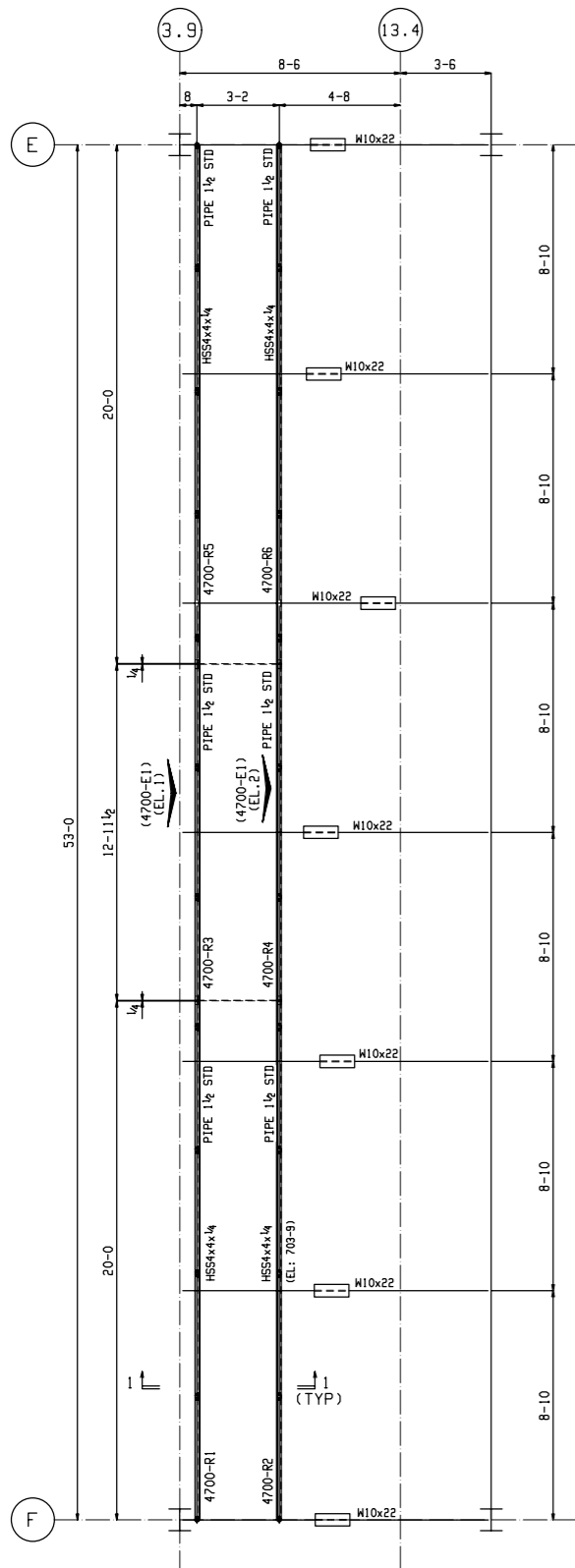
SECTION 3



SECTION 4  
(REF: 2/F2A-310003)

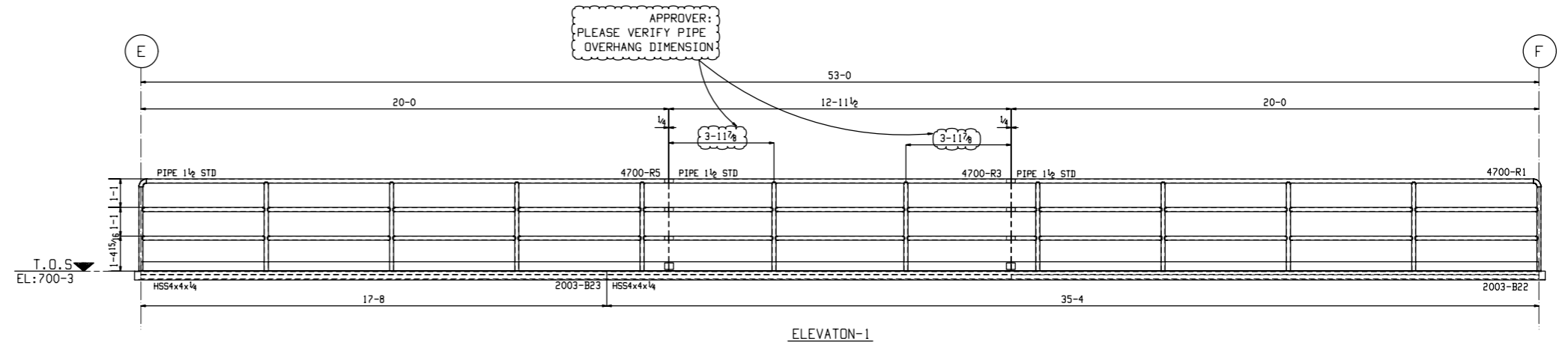
APPROVER:  
PLEASE VERIFY LADDER DIMENSIONS  
AND CONNECTION AS DETAIL.



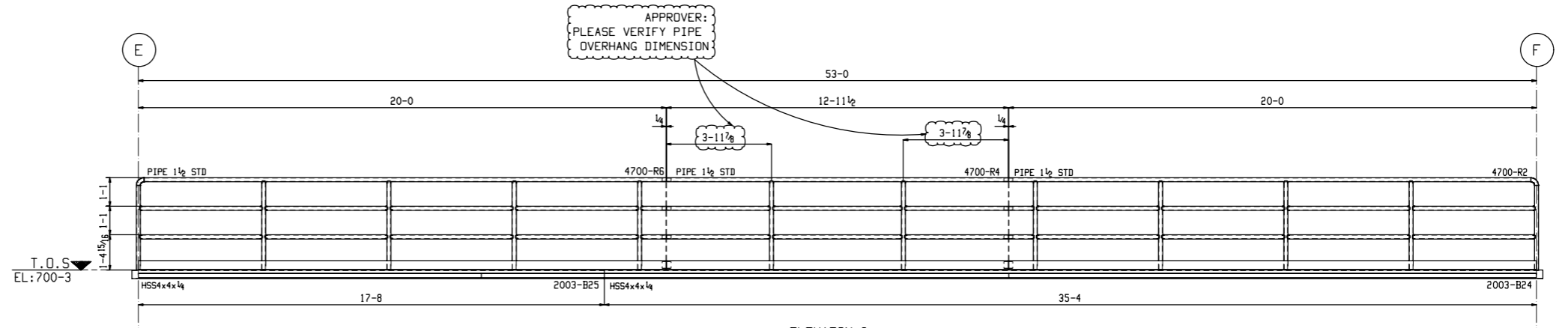


**GUARDRAIL FRAMING PLAN**

(B.O. HANDRAIL POST EL: 700-3 U.N.O.)  
(REF: 2/F2A-410271)



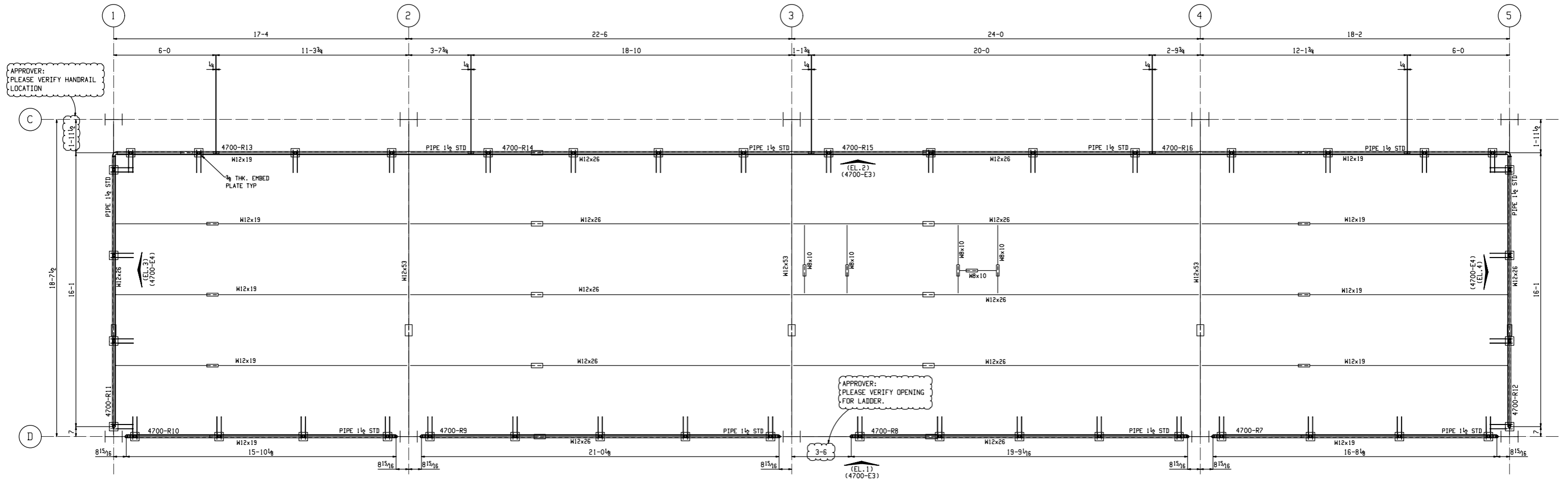
ELEVATION-1



ELEVATION-2



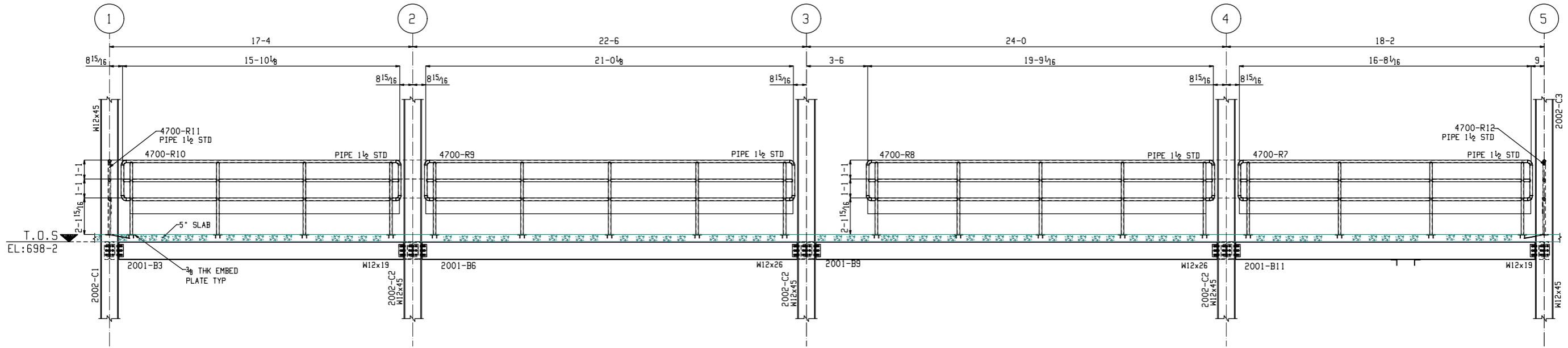
**PLAN NOTE:**  
1. SEE 4700-E5 FOR TYP SECTION & DETAIL.



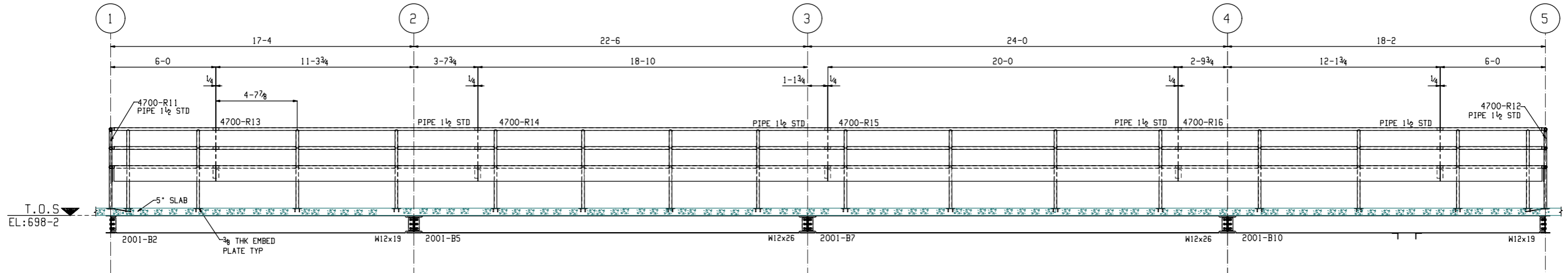
**GUARDRAIL FRAMING PLAN**  
 (B.D. HANDRAIL POST EL: 698-7 U.N.O.)  
 (REF: 2/F2A-410271)



**PLAN NOTE:**  
 1. SEE 4700-E3 FOR TYP SECTION & DETAIL.



ELEVATION-1  
GRID-D

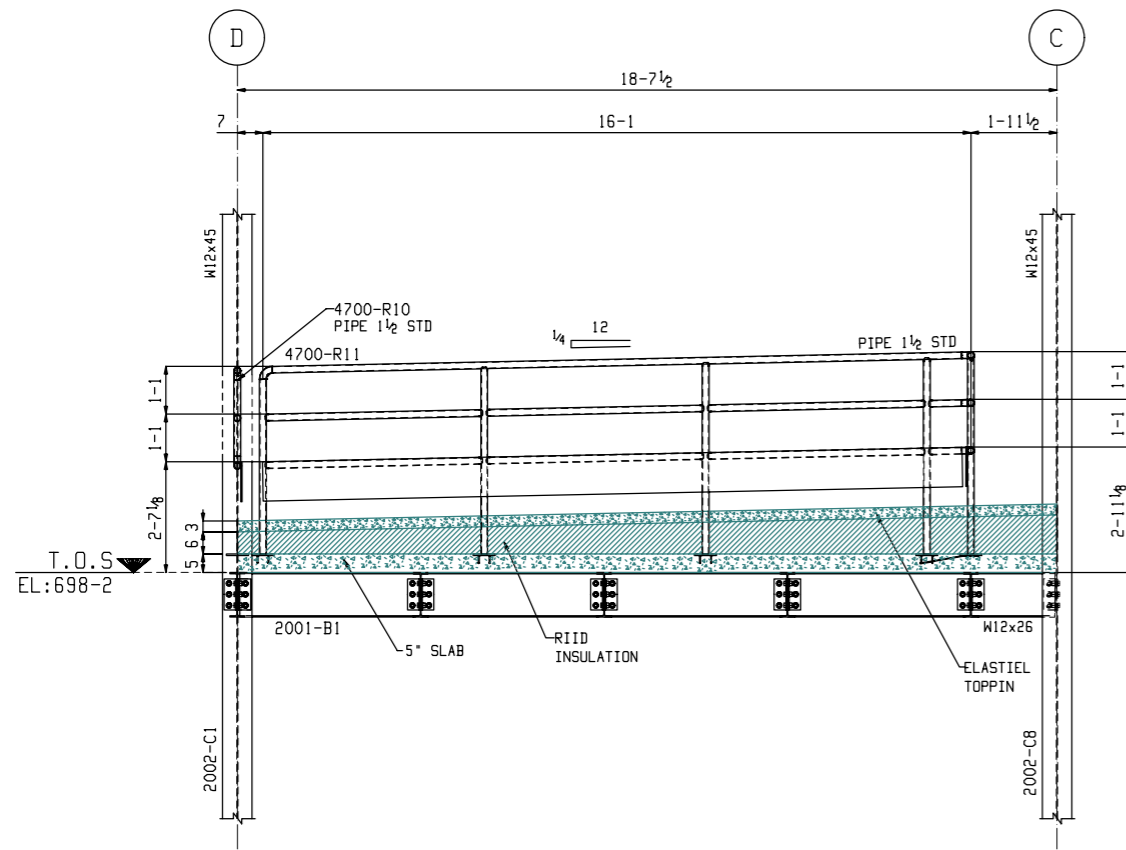


ELEVATION-2  
GRID-C

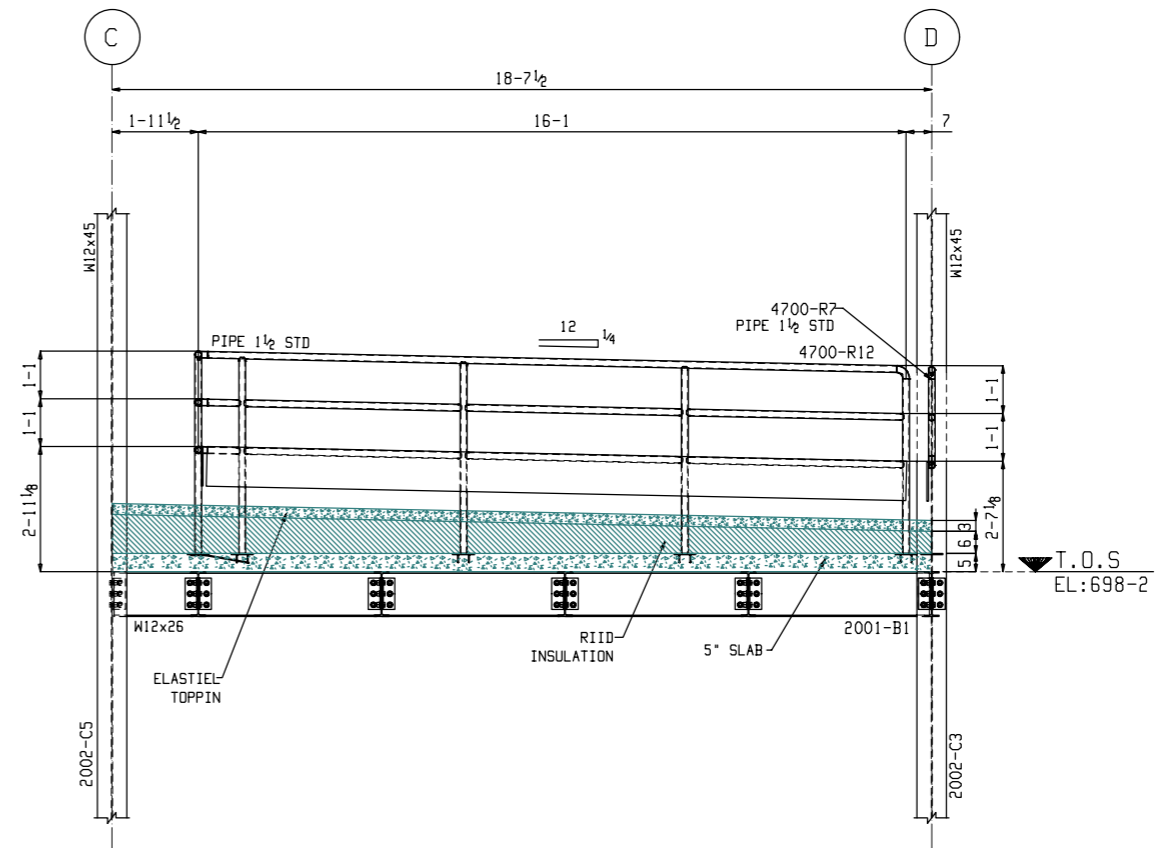


NOTE:  
1. SEE 4700-E3 FOR TYP SECTION & DETAIL.

APPROVER:  
1) PLEASE VERIFY HANDRAILS AS DETAIL.  
2) PLEASE PROVIDE DETAILS FOR PIPE SLEEVE AND ANGLE. AS WE ASKED IN RFI#-07



ELEVATION-3



ELEVATION-4

APPROVER:  
PLEASE VERIFY HANDRAILS AS DETAIL.



NOTE:  
1. SEE 4700-E3 FOR TYP SECTION & DETAIL.



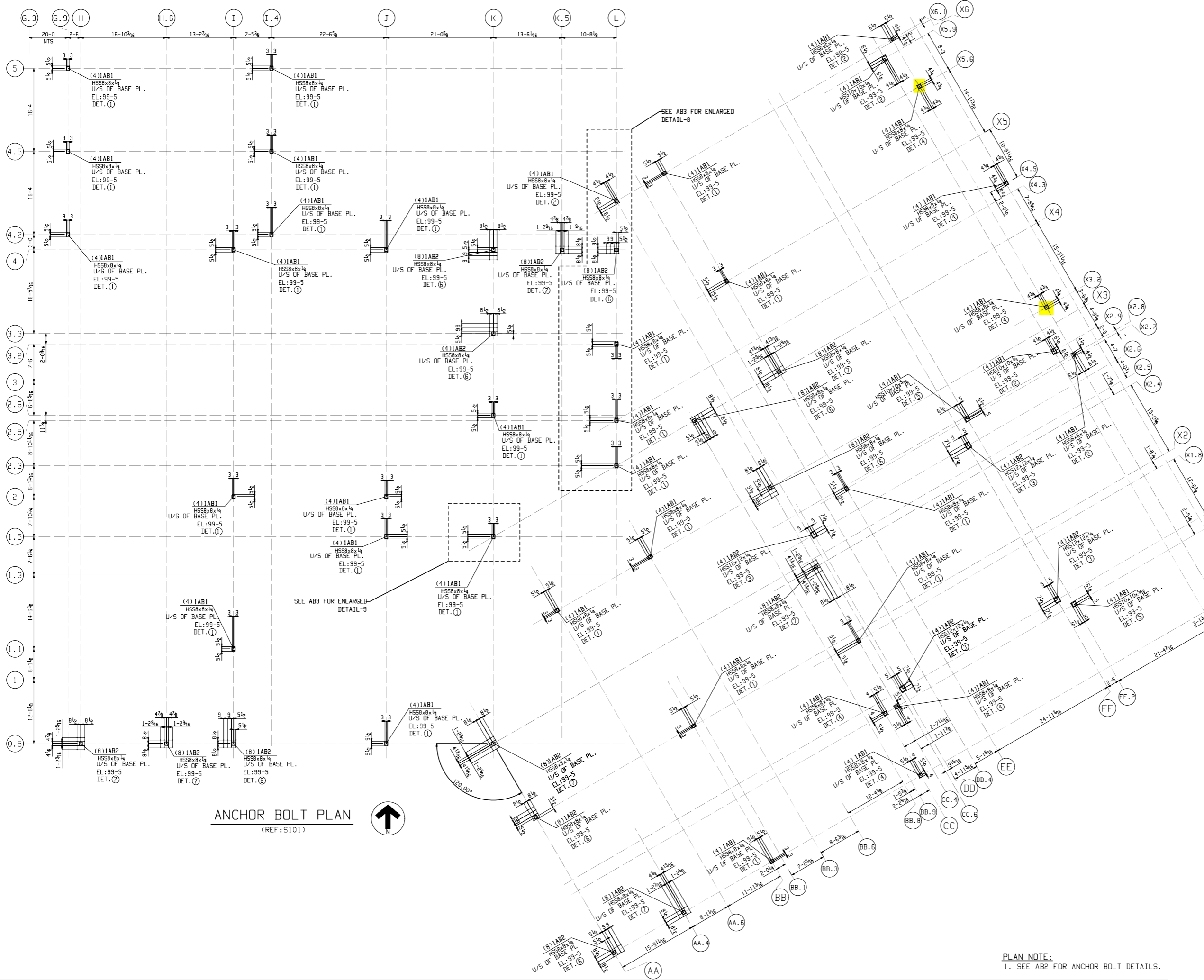
LEGENDS	
1. (8)-IAB1	→ QUANTITY AND PIECE MARK.
2. U/S BP EL:	→ UNDERSIDE OF BASE PLATE ELEVATION

0	Sep 20 2018	ISSUED FOR CONSTRUCTION
A	Aug 3 2018	ISSUED FOR APPROVAL

ANCHOR BOLT PLAN  
(REF: 52)



FOR DETAILS REFER AB



**LEGENDS**

1. (8)-1AB1 → QUANTITY AND PIECE MARK.

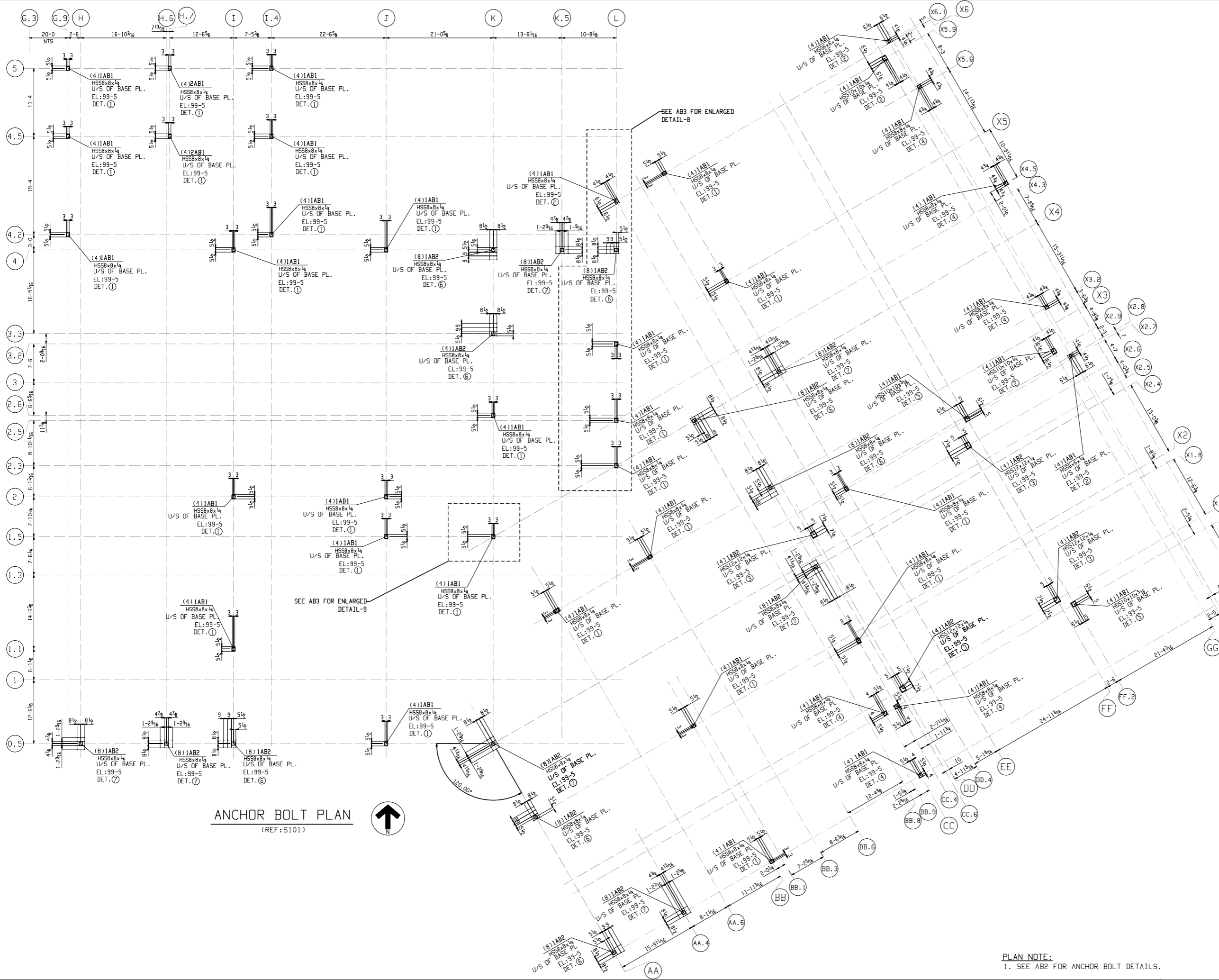
2. U/S OF BASE PL. EL. → UNDERSIDE OF BASE PLATE ELEVATION

**ANCHOR BOLT PLAN**  
(REF: S101)



D	Sep 27 2018	ISSUED FOR CONSTRUCTION
C	Sep 18 2018	ISSUED FOR RE-APPROVAL
B	Aug 22 2018	ISSUED FOR RE-APPROVAL
A	Aug 21 2018	ISSUED FOR RE-APPROVAL
	Aug 10 2018	ISSUED FOR APPROVAL

**PLAN NOTE:**  
1. SEE AB2 FOR ANCHOR BOLT DETAILS.



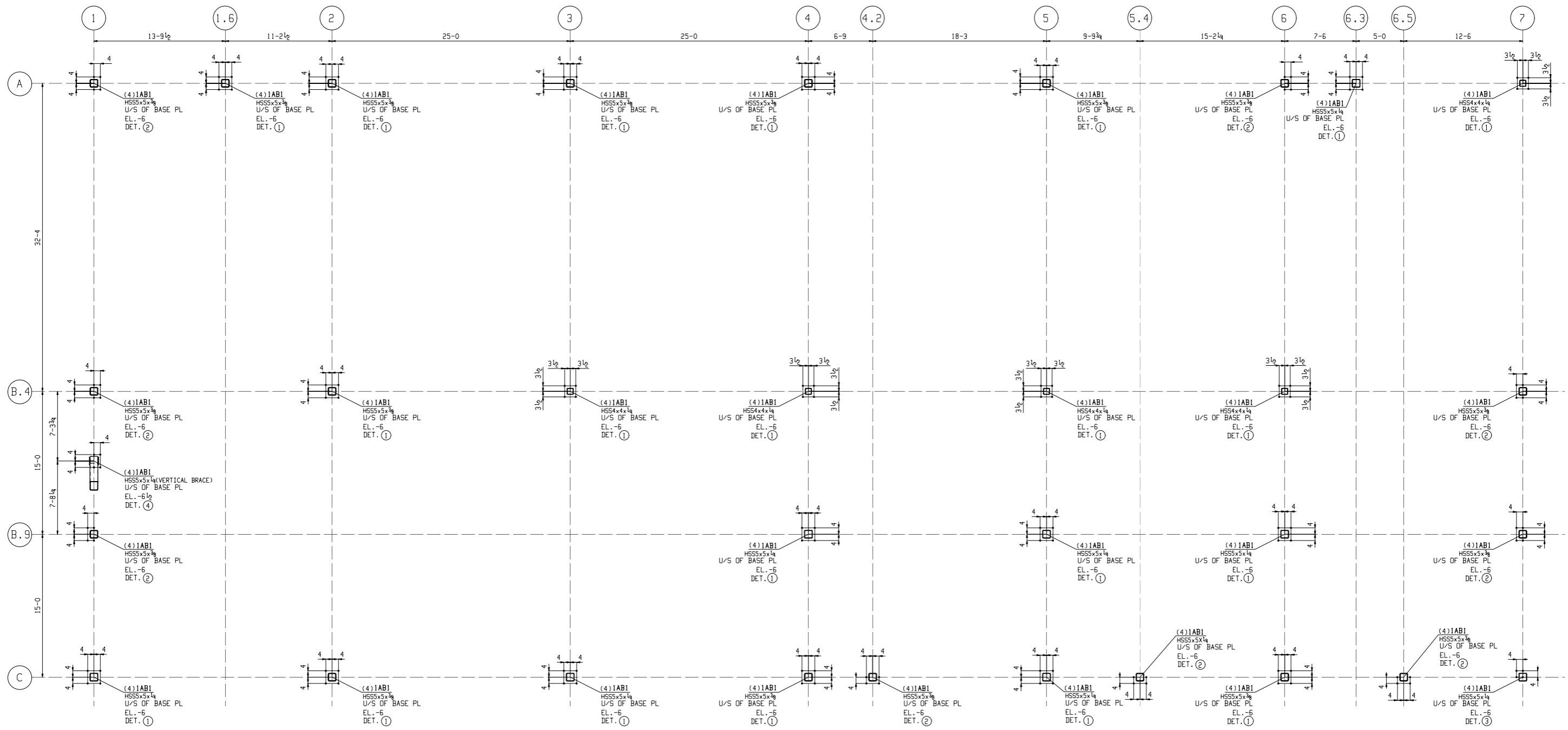
LEGENDS	
1. (8)-1AB1	→ QUANTITY AND PIECE MARK.
2. U/S OF BASE PL. EL:	→ UNDERSIDE OF BASE PLATE ELEVATION

**ANCHOR BOLT PLAN**  
(REF: S101)



Z	Jan 3 2019	RELEASED FOR CONSTRUCTION
E	Dec 14 2018	REVISED AS NOTED
I	Oct 22 2018	REVISED AS NOTED
O	Sep 27 2018	ISSUED FOR CONSTRUCTION
D	Sep 18 2018	ISSUED FOR RE-APPROVAL
C	Aug 22 2018	ISSUED FOR RE-APPROVAL
B	Aug 21 2018	ISSUED FOR RE-APPROVAL
A	Aug 10 2018	ISSUED FOR APPROVAL

**PLAN NOTE:**  
1. SEE AB2 FOR ANCHOR BOLT DETAILS.



ANCHOR BOLT SETTING PLAN

(REF: 1/S1.1)



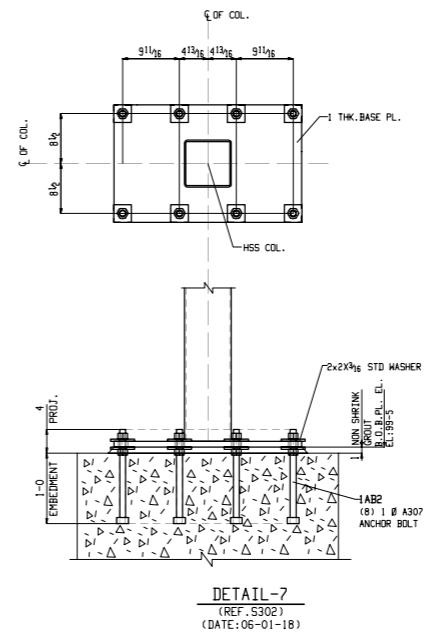
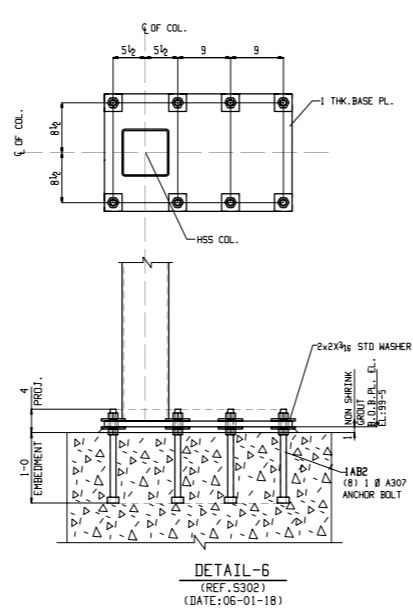
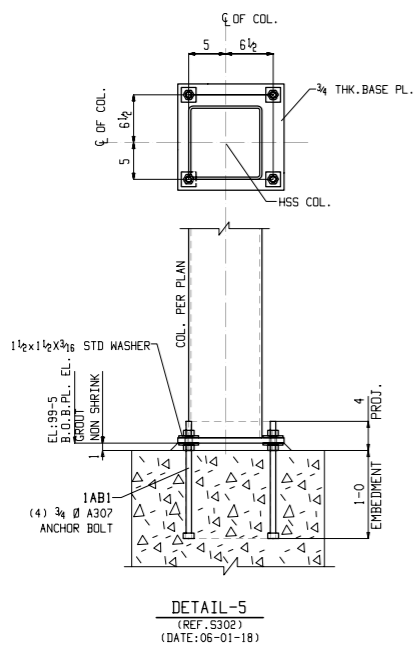
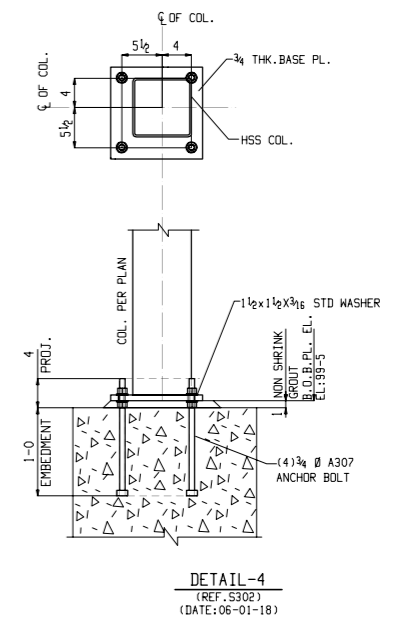
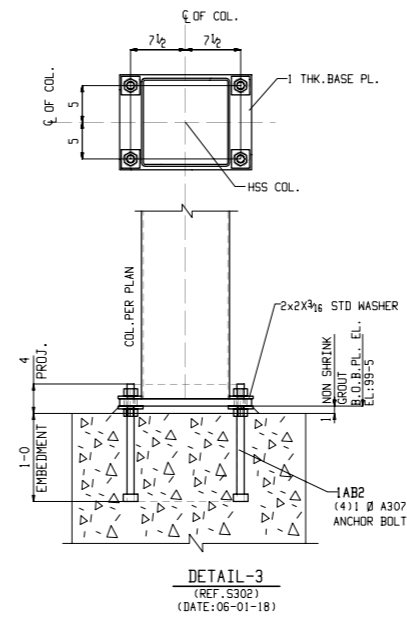
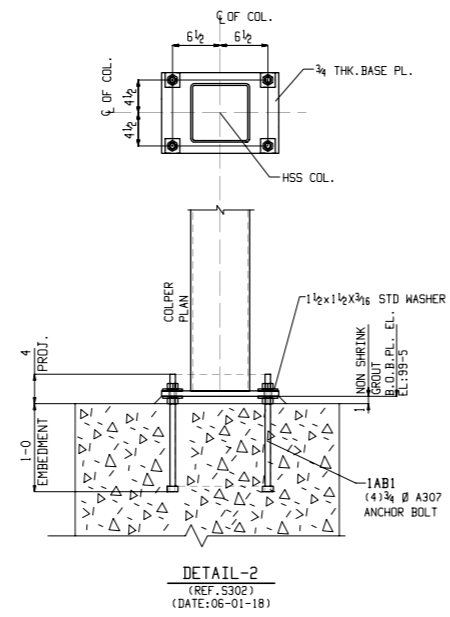
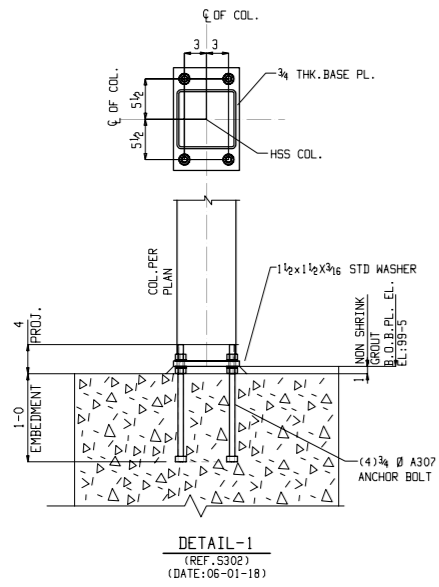
0	Sep 14 2018	ISSUED FOR CONSTRUCTION
A	Aug 16 2018	ISSUED FOR APPROVAL

LEGENDS

- 1. (X)-1AB1 → QUANTITY AND PIECE MARK.
- 2. U/S OF BASE PL. EL. → UNDERSIDE OF BASE PLATE ELEVATION

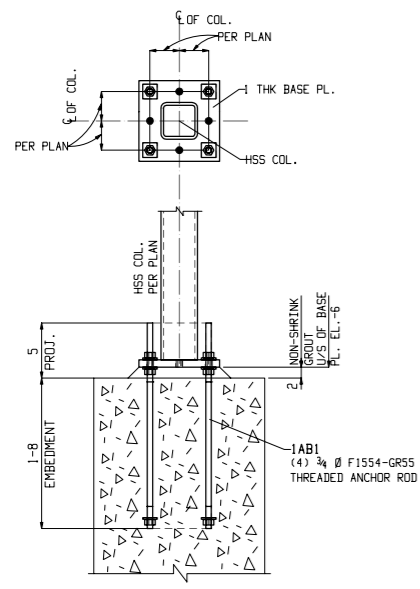
PLAN NOTE:

1. SEE AB2 FOR ANCHOR BOLT DETAILS

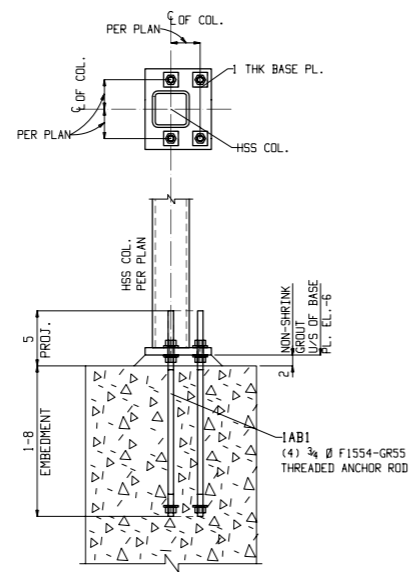


**NOTE:**  
1. FOR COL. ORIENTATION SEE PLAN

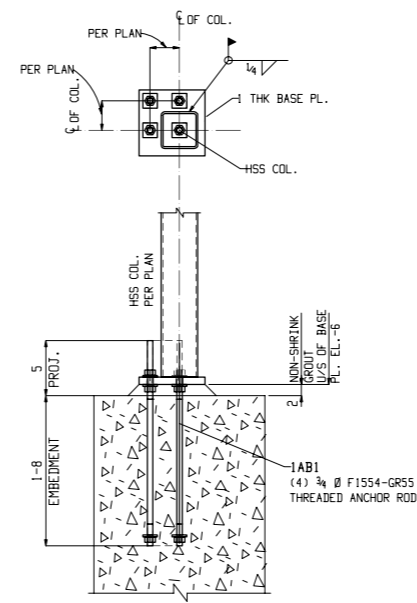
REV	USER	DATE	DESCRIPTION
0		Sep 27 2018	ISSUED FOR CONSTRUCTION
C		Sep 18 2018	ISSUED FOR RE-APPROVAL
B		Aug 22 2018	ISSUED FOR RE-APPROVAL
A		Aug 10 2018	ISSUED FOR APPROVAL



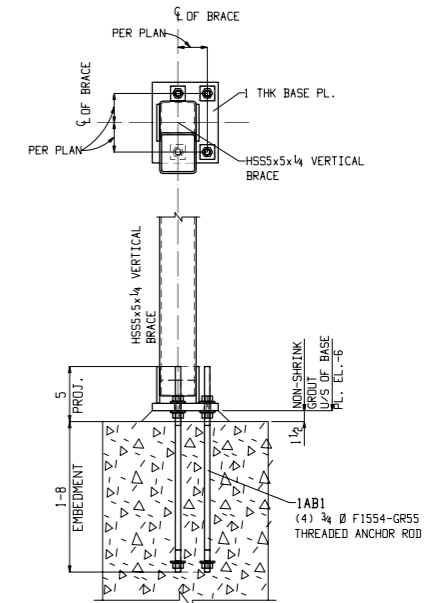
**DETAIL-1**  
(REF. 2/S1.1)  
(21 LOCATIONS)



**DETAIL-2**  
(REF. 2/S1.1)  
(10 LOCATIONS)



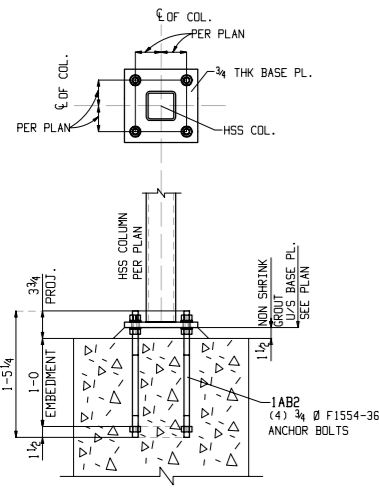
**DETAIL-3**  
(REF. 2/S1.1)  
(1 LOCATION)



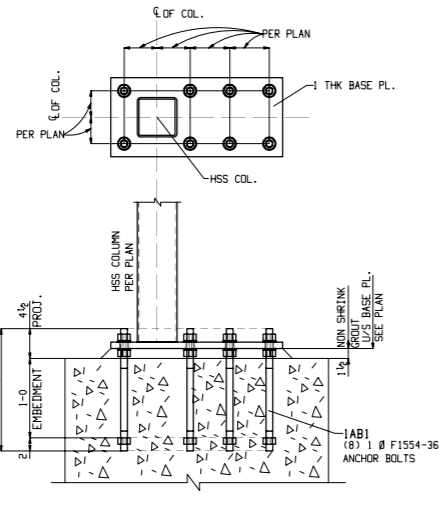
**DETAIL-4**  
(REF. 10/S4.2)  
(1 LOCATION)

**NOTE:**  
1. FOR COLUMN ORIENTATION SEE PLAN

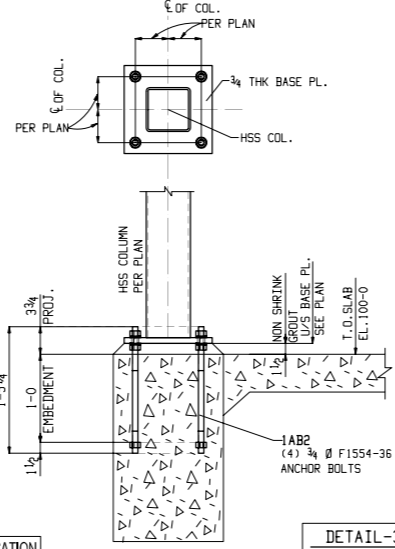
REV	DATE	DESCRIPTION
0	Sep 14 2018	ISSUED FOR CONSTRUCTION
A	Aug 16 2018	ISSUED FOR APPROVAL



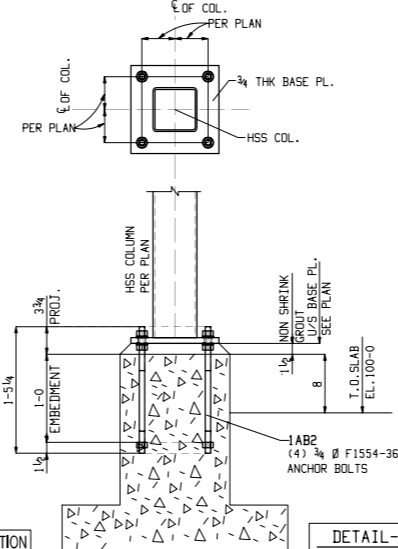
34 LOCATION  
DETAIL-1  
(REF. G/54 & W/56)



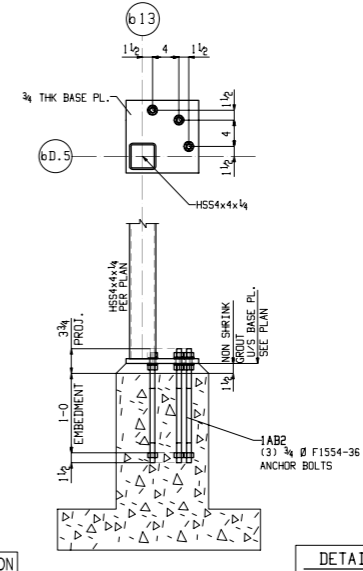
13 LOCATION  
DETAIL-2  
(REF. H/54 & X/56)



4 LOCATION  
DETAIL-3



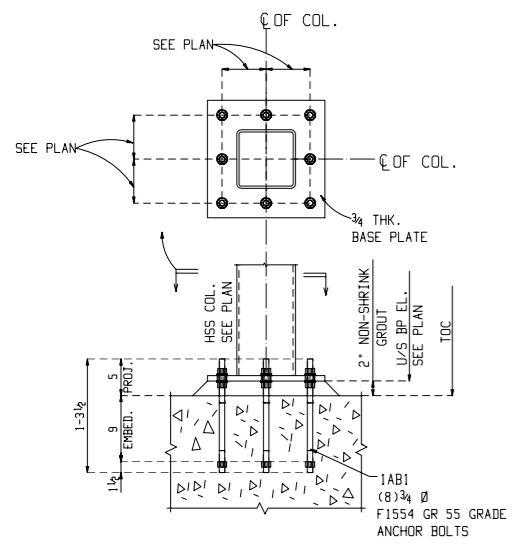
3 LOCATION  
DETAIL-4



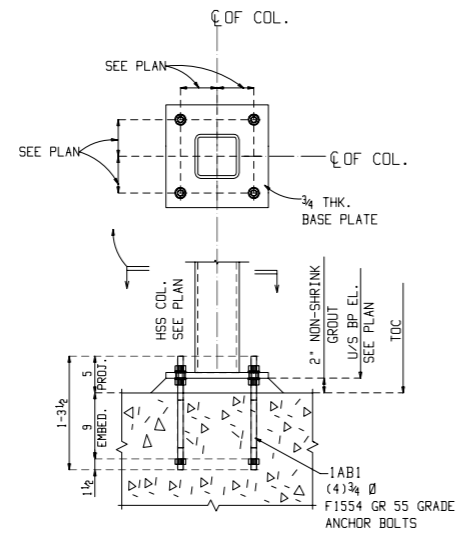
1 LOCATION  
DETAIL-5

NOTE:  
1. FOR COLUMN ORIENTATION SEE PLAN

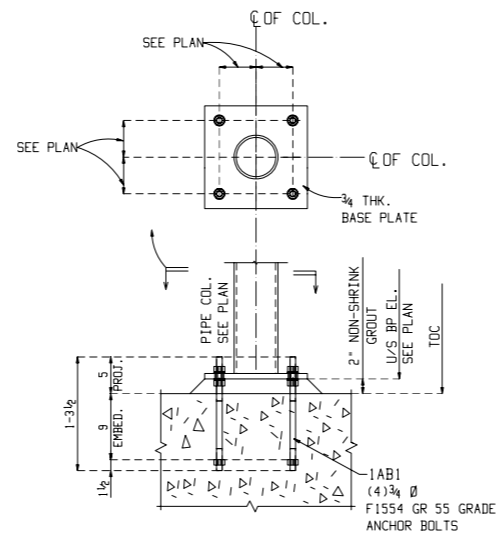
REV	DATE	DESCRIPTION
0	Sep 20 2018	ISSUED FOR CONSTRUCTION
A	Aug 3 2018	ISSUED FOR APPROVAL



ANCHOR BOLT SETTING TYPE-1  
REFER DRAWING AB1 FOR LOCATION

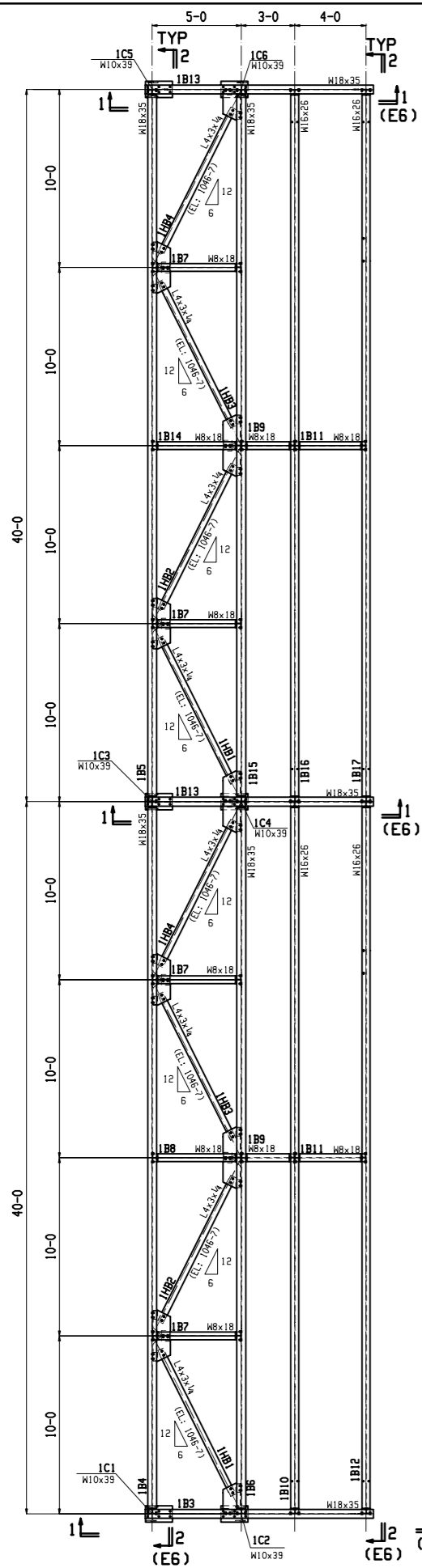


ANCHOR BOLT SETTING TYPE-2  
REFER DRAWING AB1, AB2 & AB3 FOR LOCATION

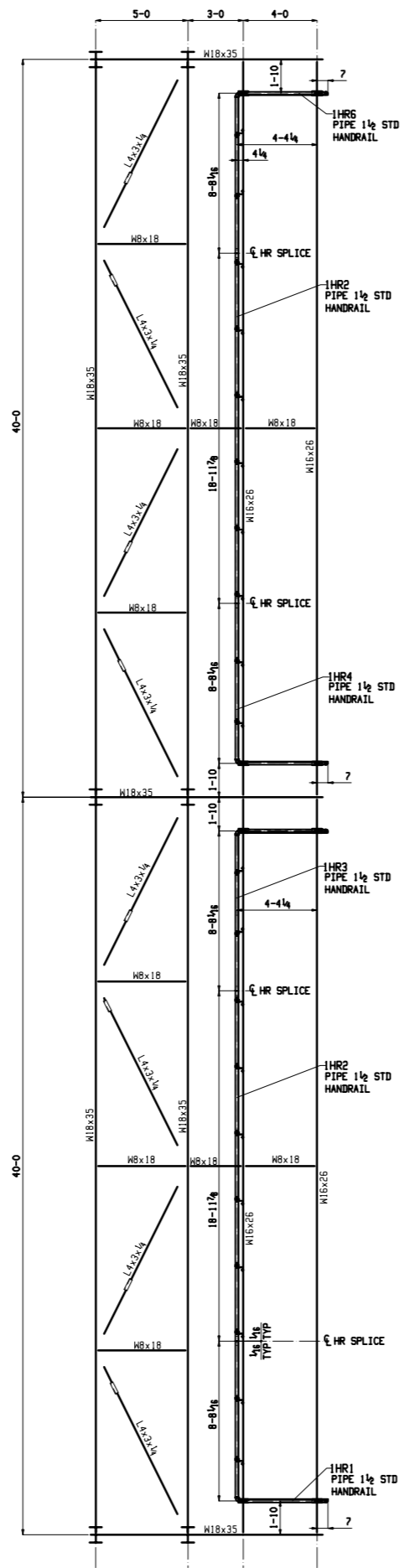


ANCHOR BOLT SETTING TYPE-3  
REFER DRAWING AB1 & AB2 FOR LOCATION

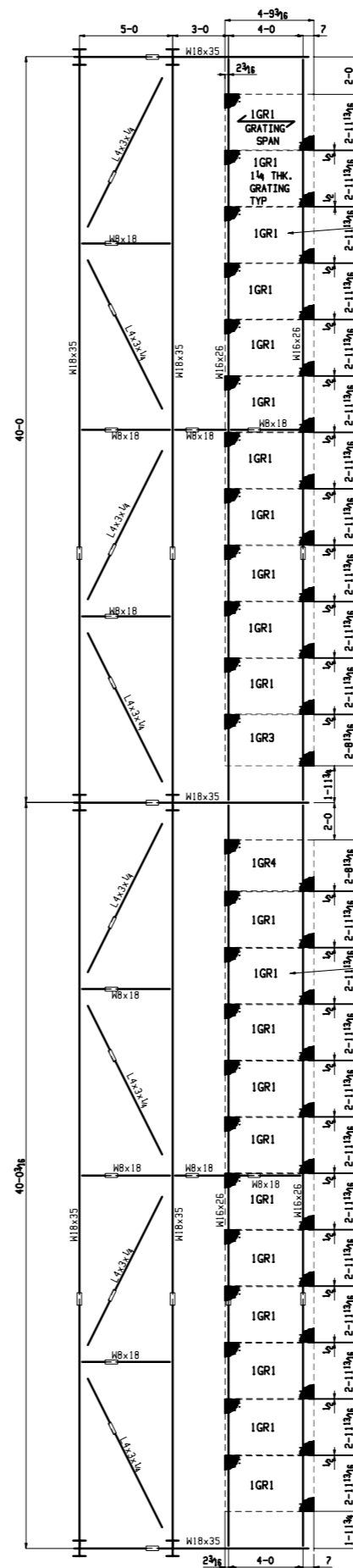
LEGENDS  
1. TOC ———> TOP OF CONCRETE



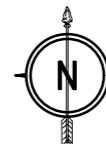
COOLING TOWER FRAMING PLAN  
TOP OF STEEL ELEVATION: 1046-9 (U.N.O.) (REF:STR-9100)



COOLING TOWER HANDRAIL PLAN  
TOP OF STEEL ELEVATION: 1046-9 (U.N.O.) (REF:STR-9100)



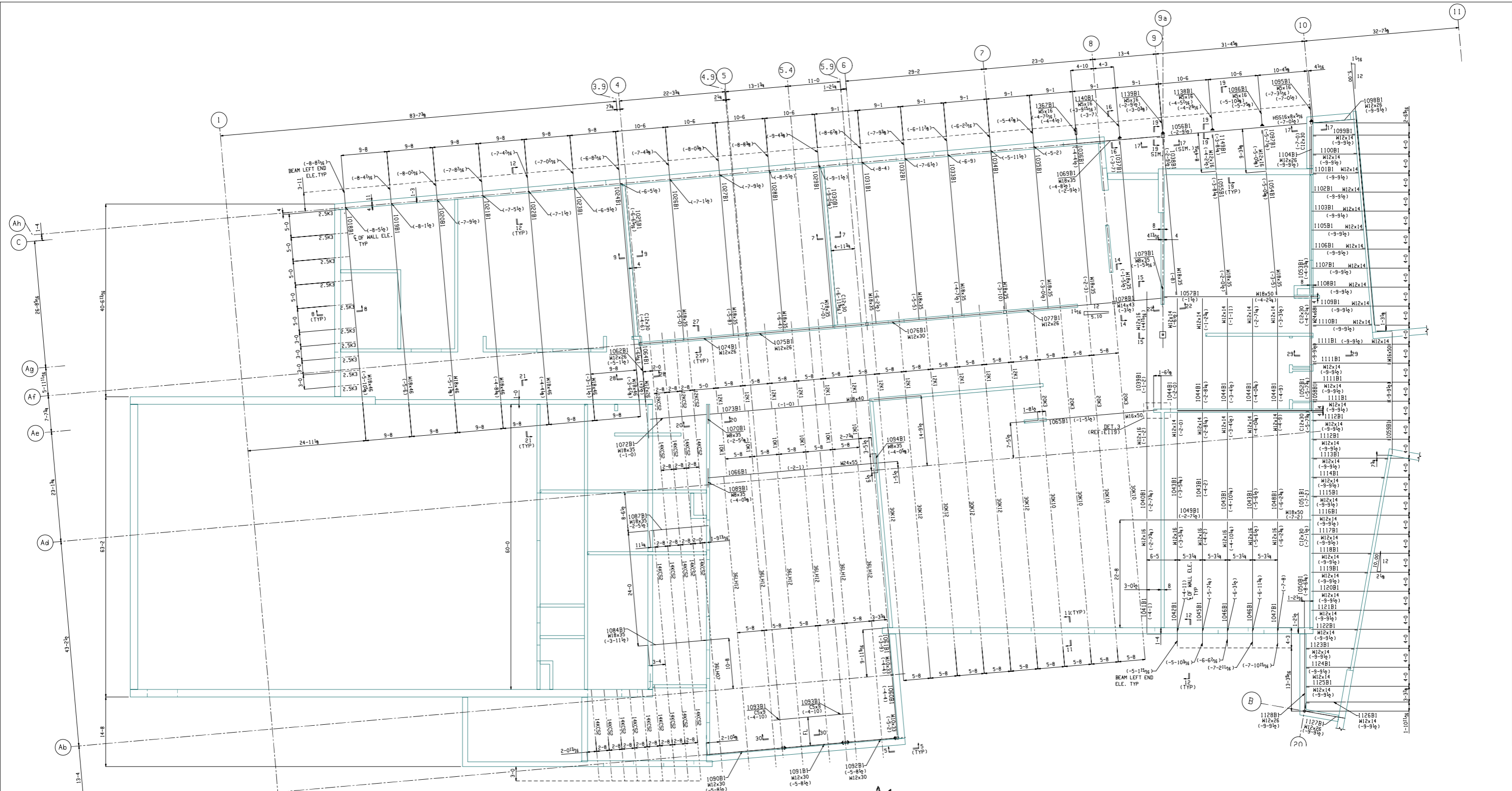
COOLING TOWER GRATING PLAN  
TOP OF GRATING ELEVATION: 1046-10 1/4 (U.N.O.) (REF:STR-9100)



NOTE:  
FOR LADDER CONNECTION  
FIELD MODIFY GRATING AS REQUIRED.  
AND FIELD CUT PLATE(1M2)  
FOR GRATING CLOSER AS REQUIRED.

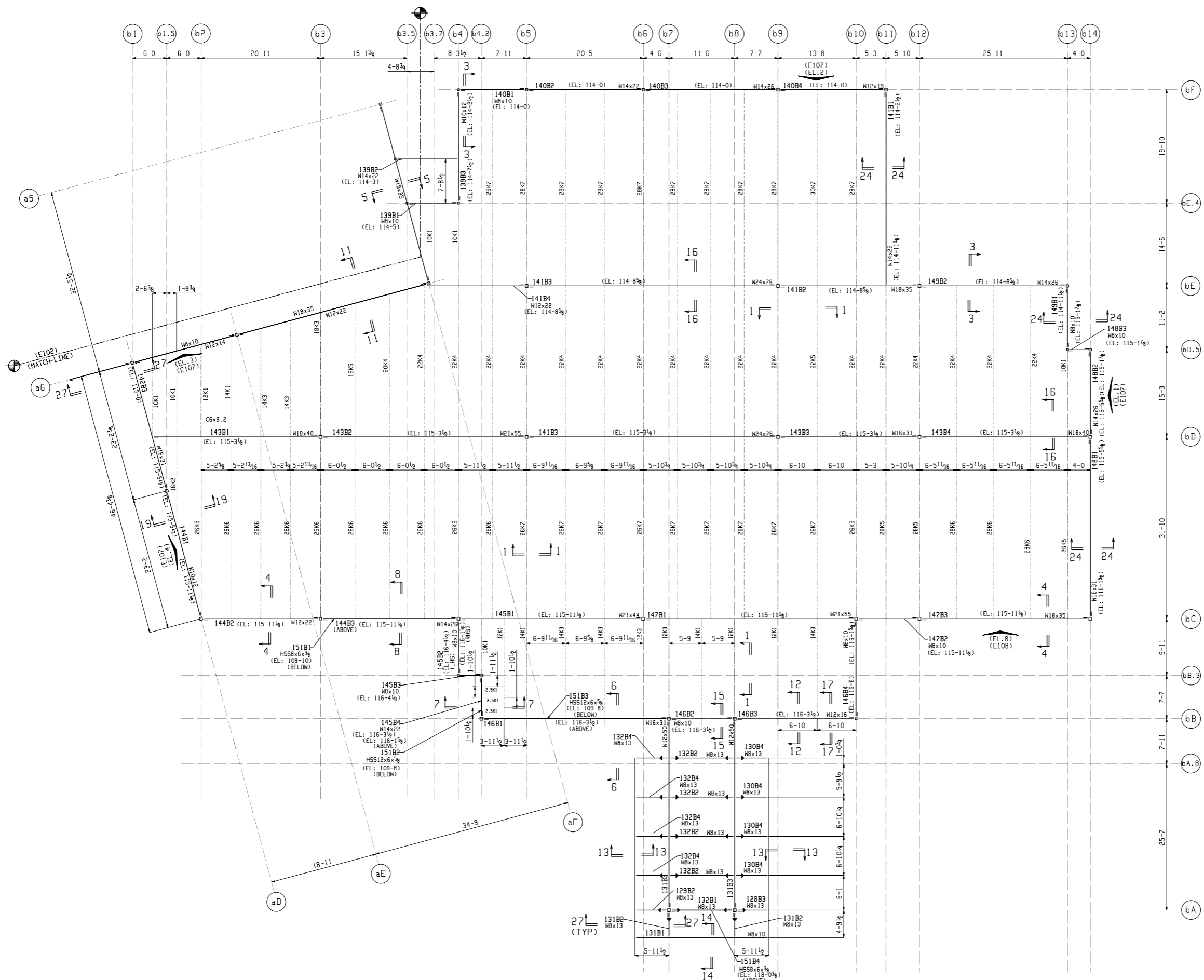
NOTE:  
FOR LADDER CONNECTION  
FIELD MODIFY GRATING AS REQUIRED.  
AND FIELD CUT PLATE(1M2)  
FOR GRATING CLOSER AS REQUIRED.





UNIT 'A' FRAMING PLAN  
 1) TOP OF STEEL ELEVATION: 123-1 1/2 (U.N.O.(REF:S3.1A))

PLAN NOTE:  
 1. SEE E118 & E119 FOR SECTIONS & DE  
 2. FL INDICATES FIELD LOCATE.



0	Nov 2 2018	ISSUED FOR CONSTRUCTION
A	Aug 20 2018	ISSUE FOR APPROVAL

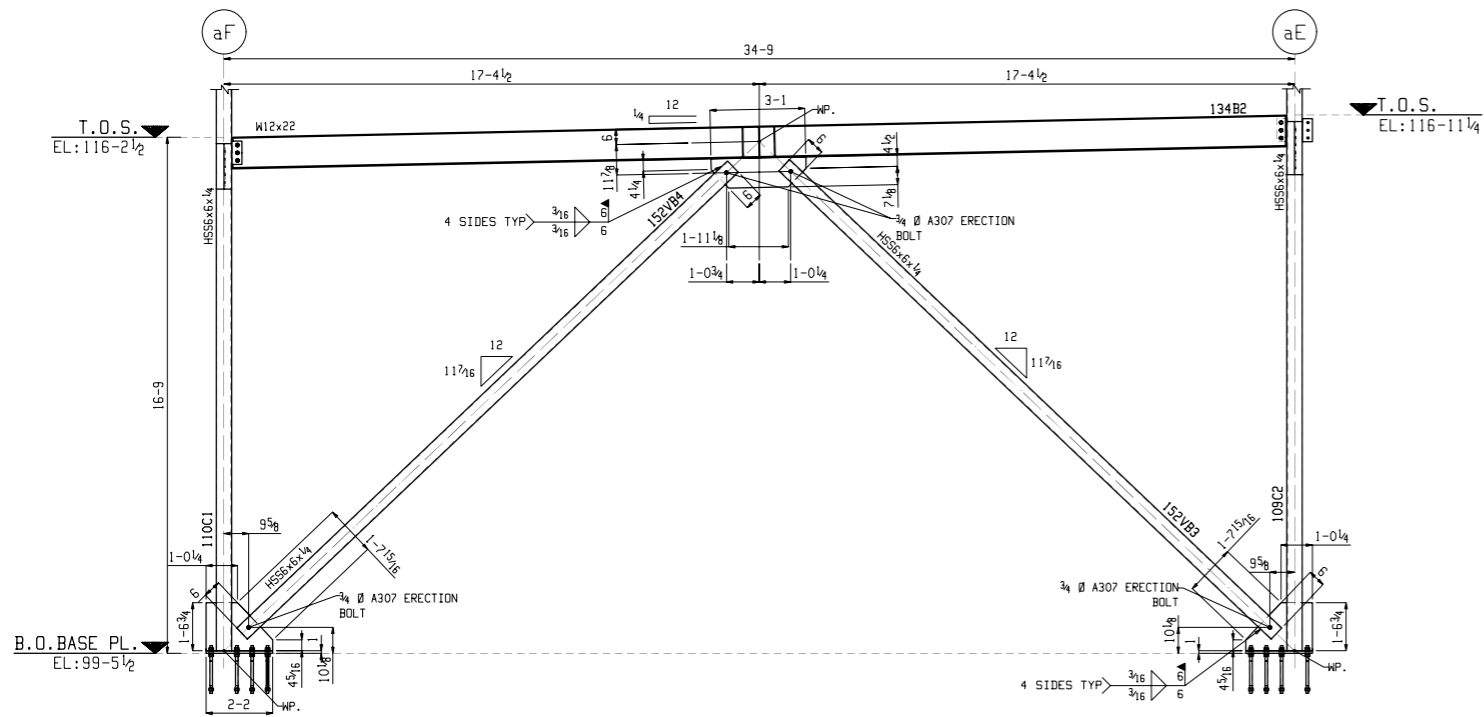
**B ROOF FRAMING PLAN**  
 (T.O.S. EL: 114-0 U.N.O.)  
 (REF: S3.1)



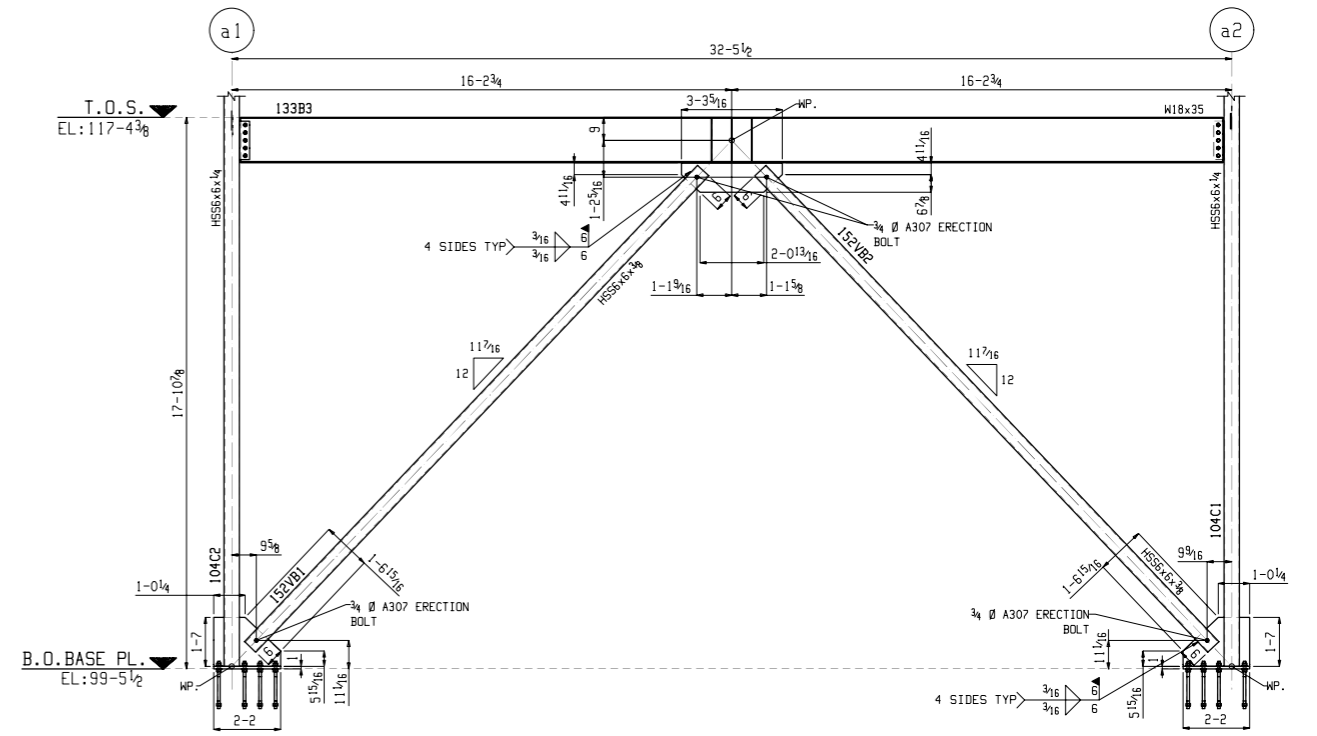
**PLAN NOTE:**  
 1. INDICATES MOMENT CONNECTION.  
 2. SEE E110, E111 & E112 FOR TYP SECTIONS & DETAIL



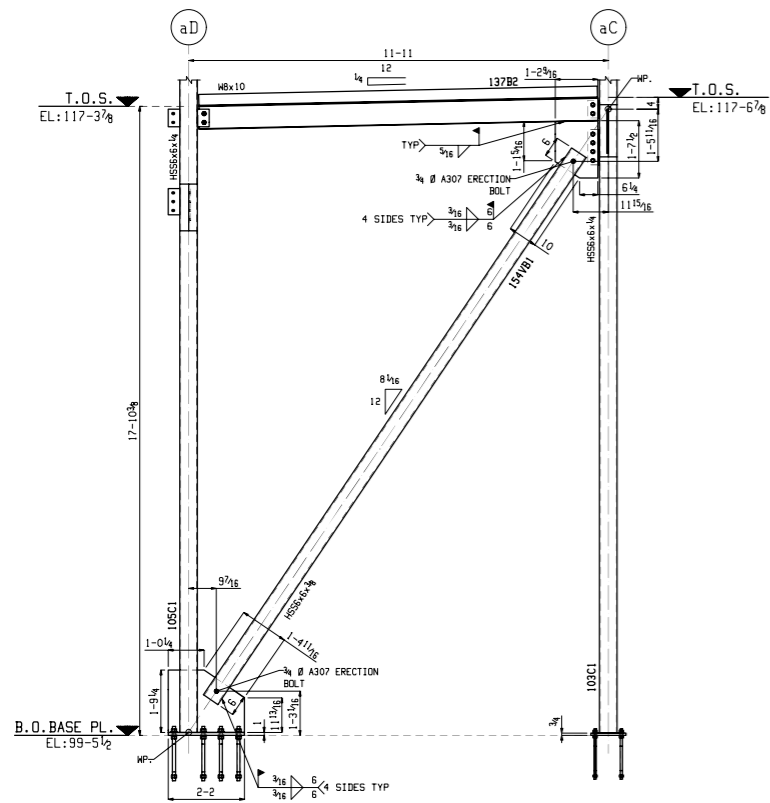




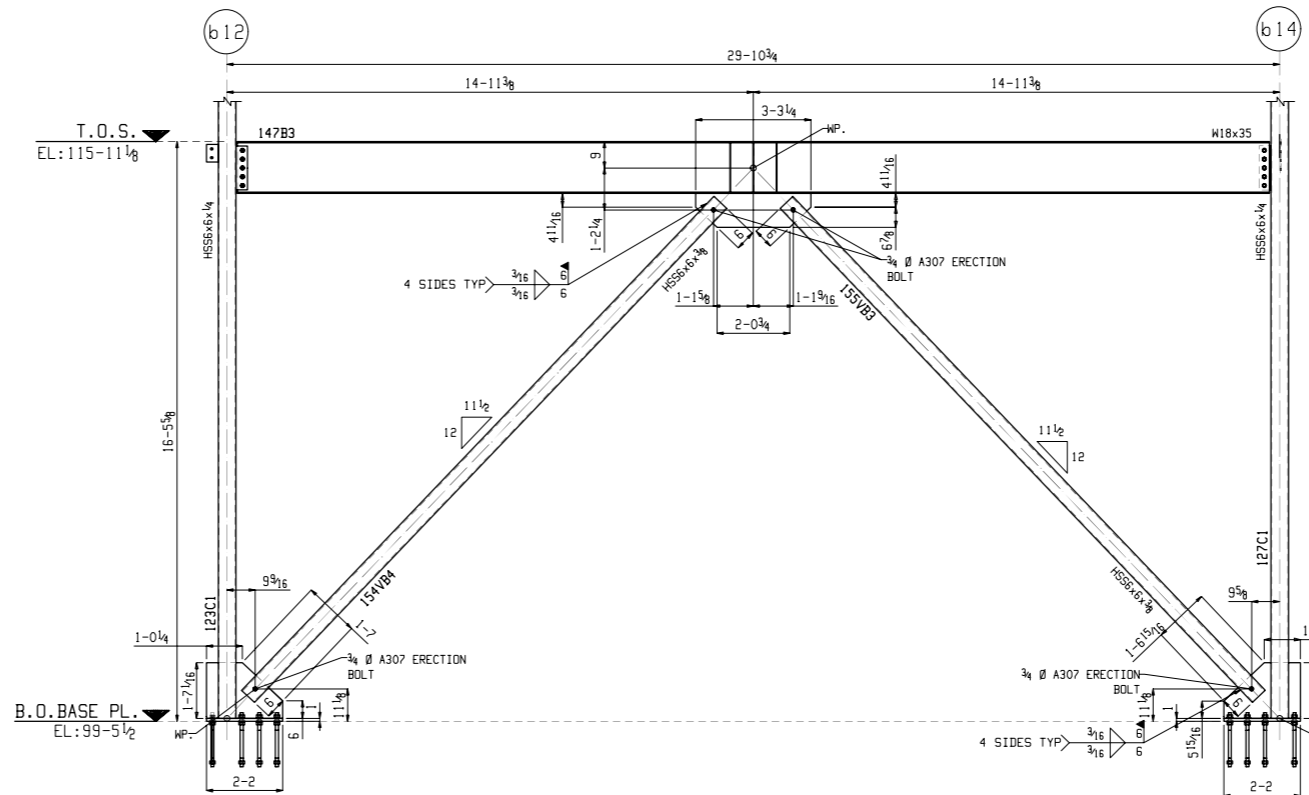
ELEVATION-5  
(REF: 5/S3.2)



ELEVATION-6  
(REF: 6/S3.2)



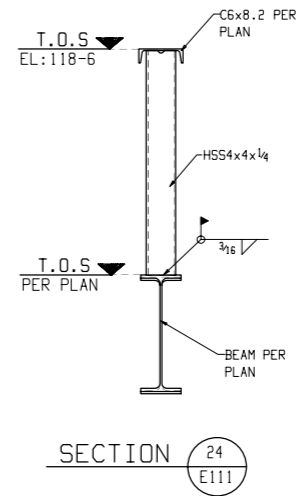
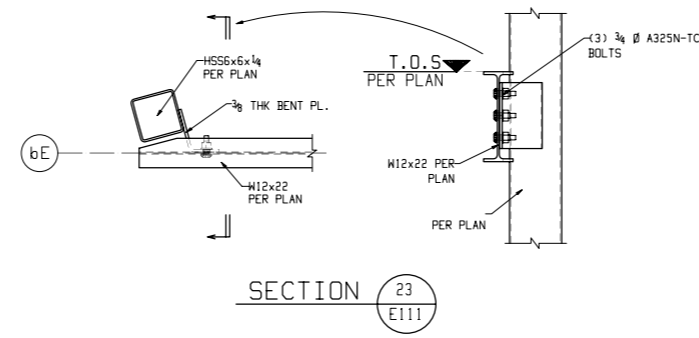
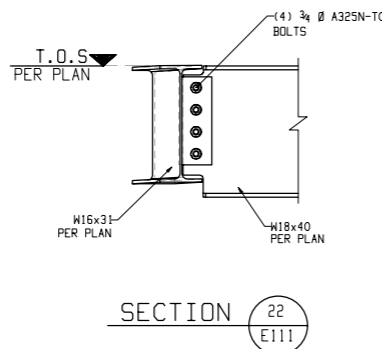
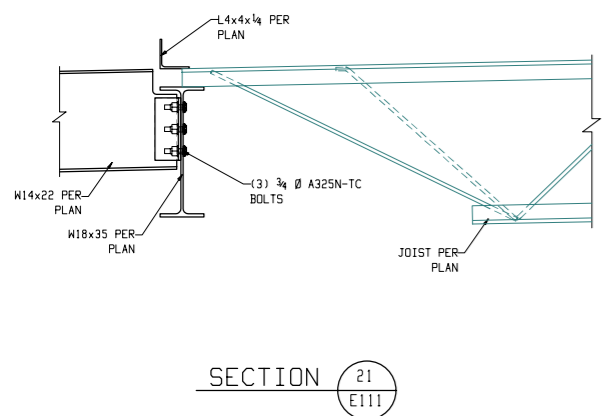
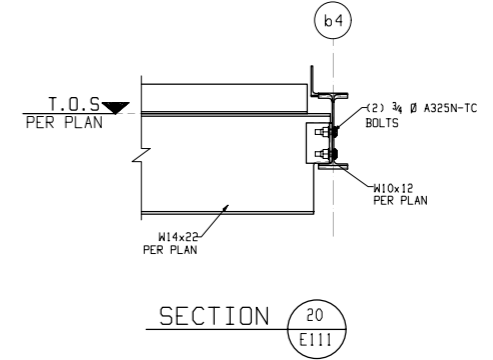
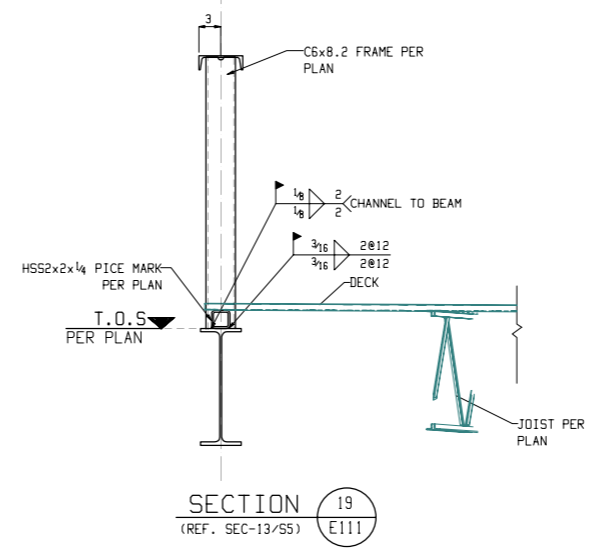
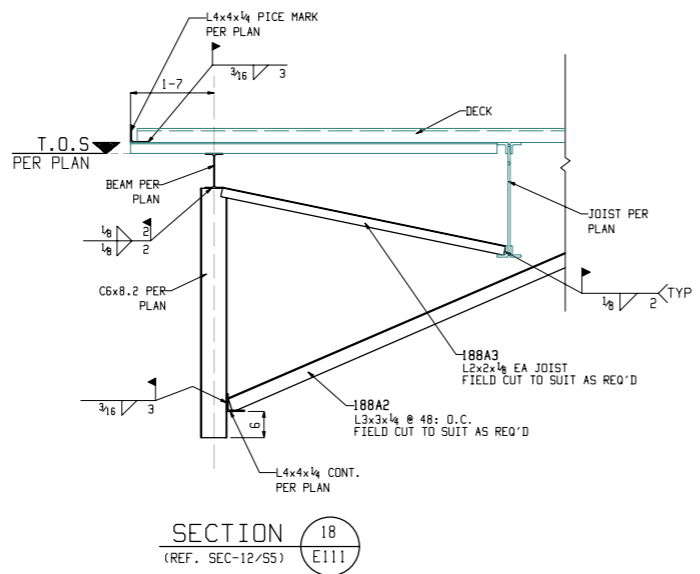
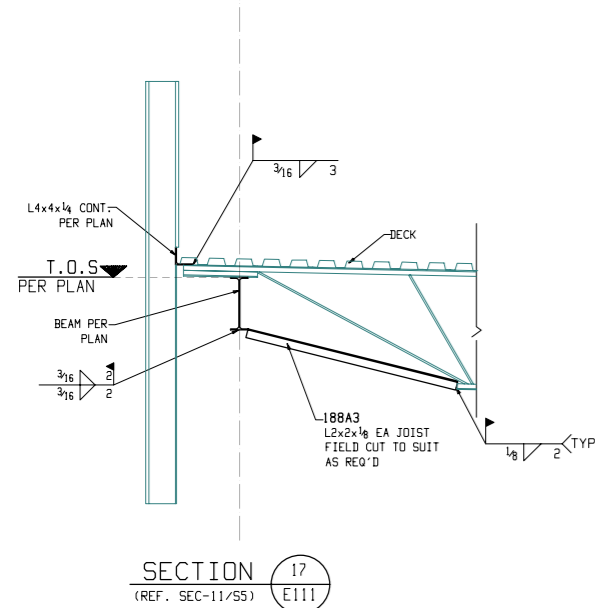
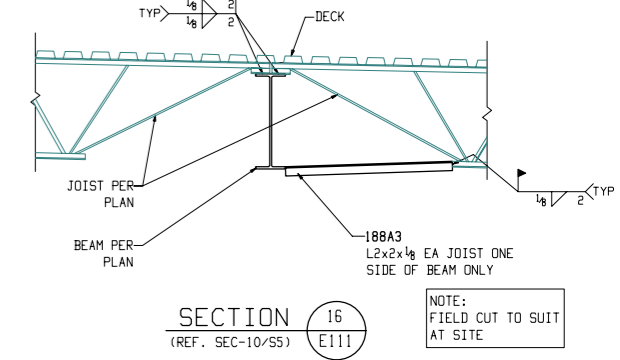
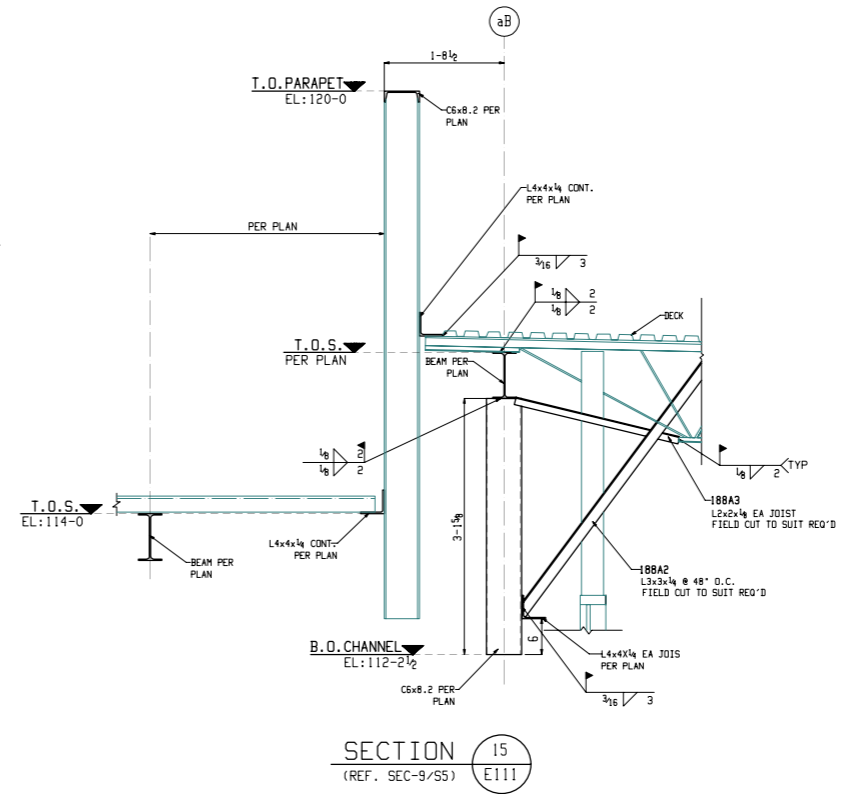
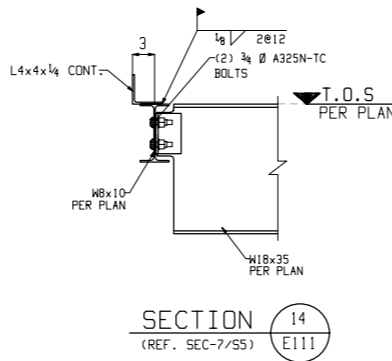
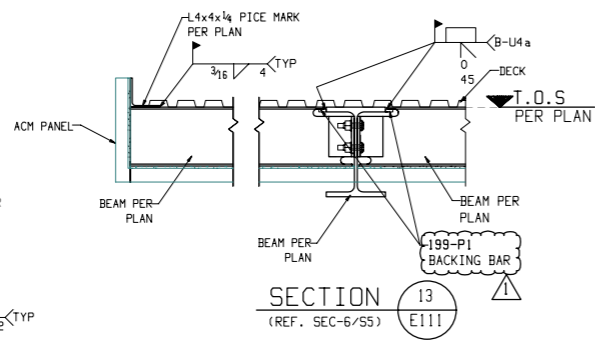
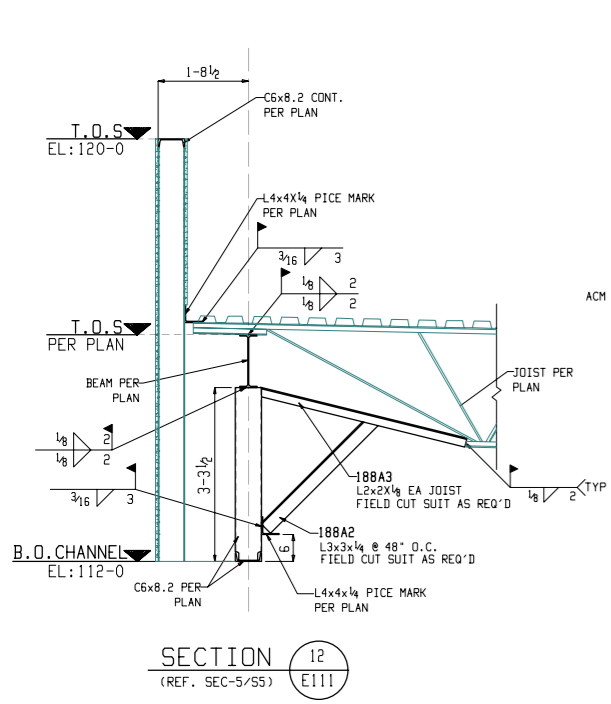
ELEVATION-7  
(REF: 7/S3.2)



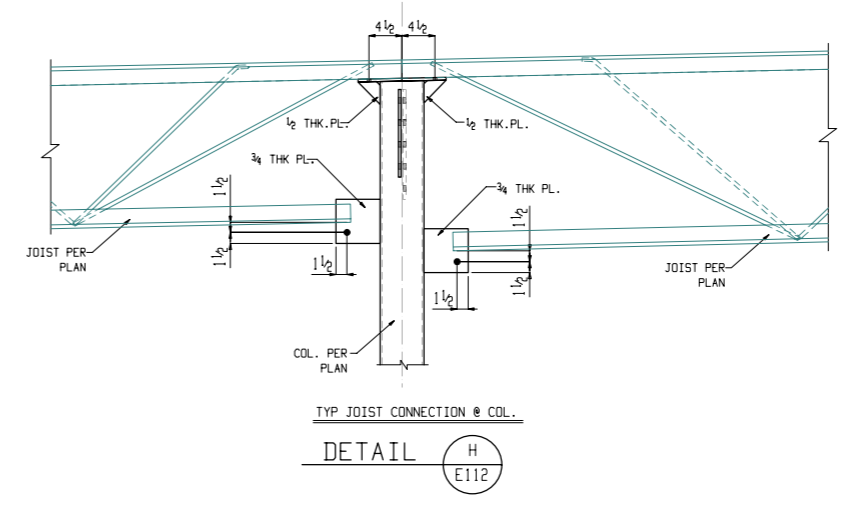
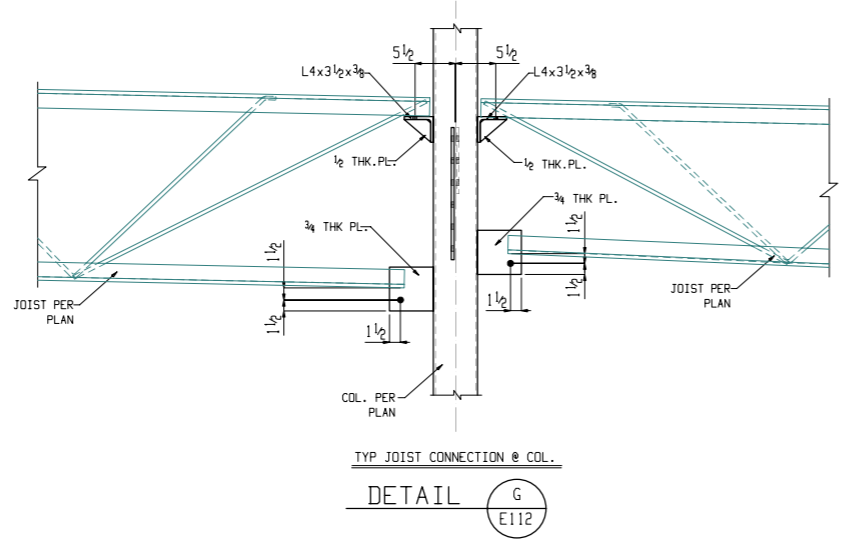
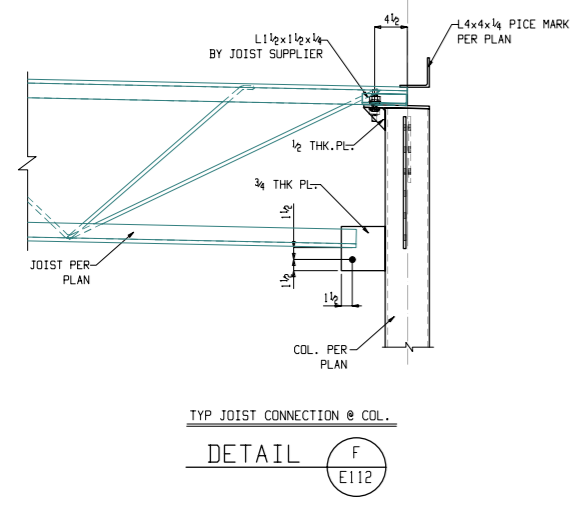
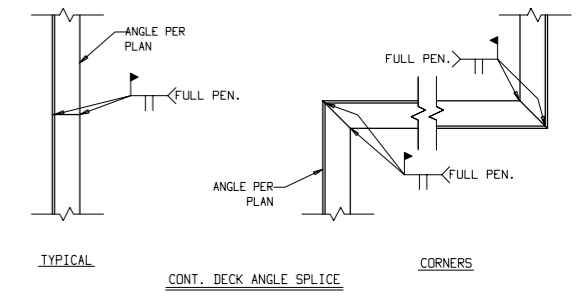
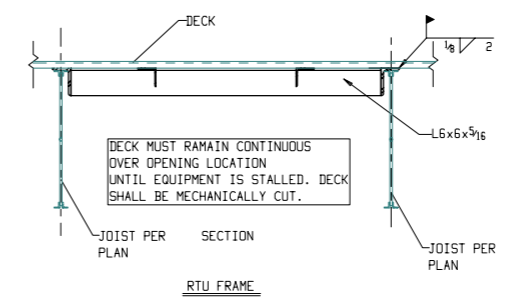
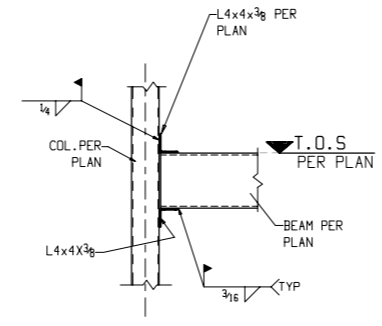
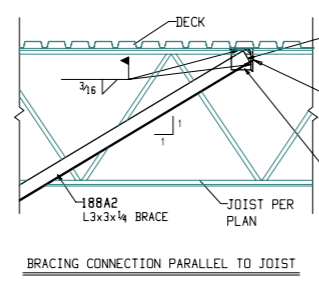
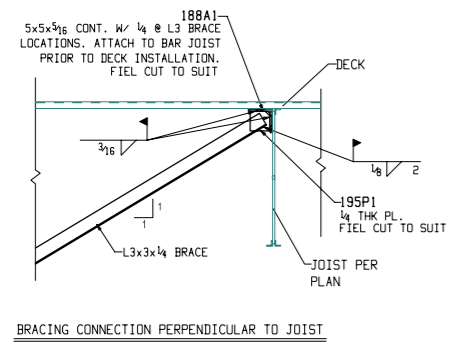
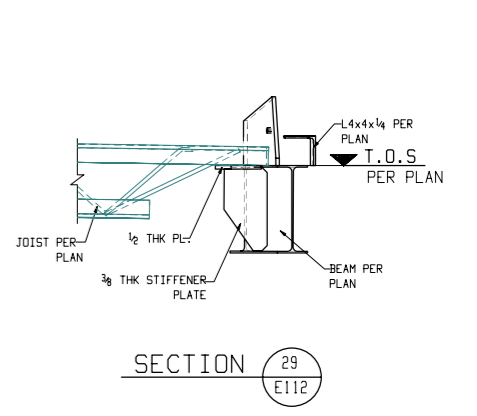
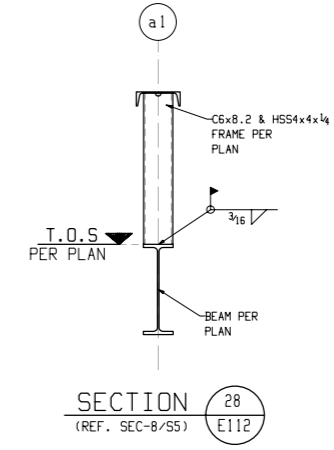
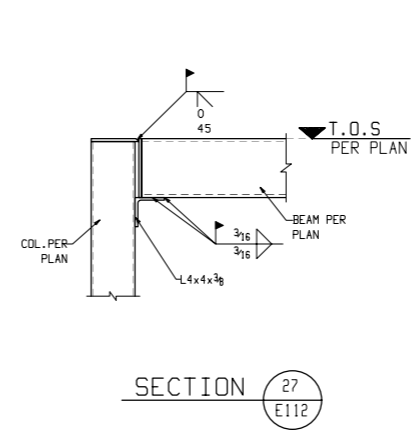
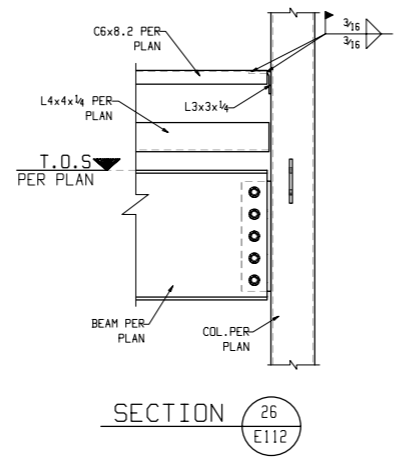
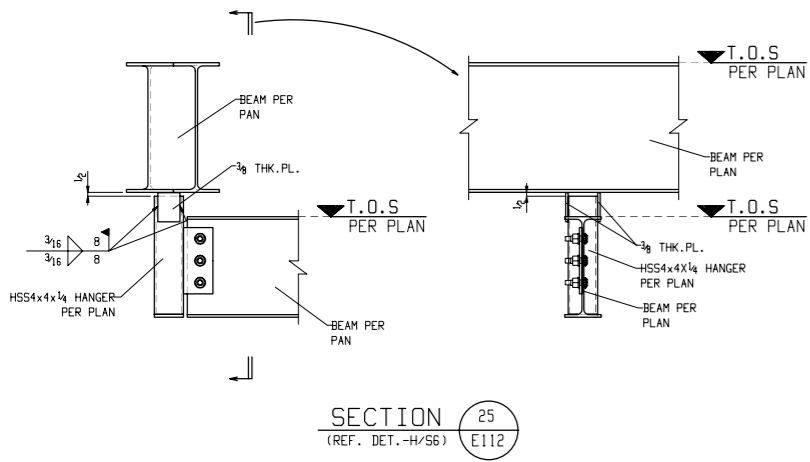
ELEVATION-8  
(REF: 8/S3.2)

0	Nov 2 2018	ISSUED FOR CONSTRUCTION
---	------------	-------------------------



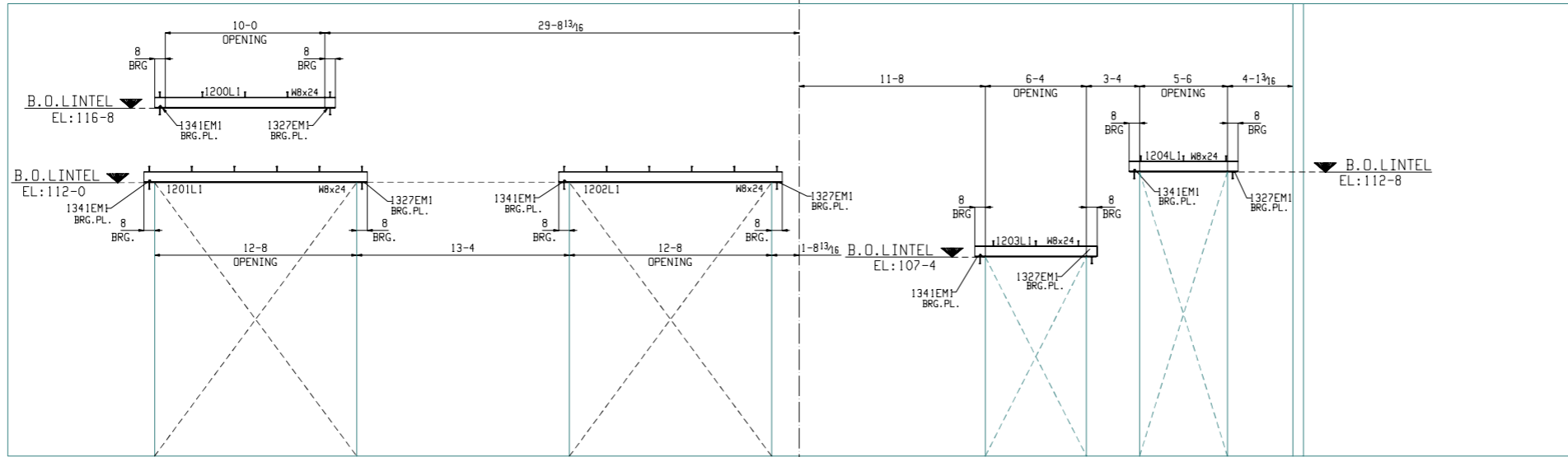


REV	DATE	DESCRIPTION
1	Nov 19 2018	REVISED AS NOTED
0	Nov 2 2018	ISSUED FOR CONSTRUCTION
A	Aug 20 2018	ISSUED FOR APPROVAL

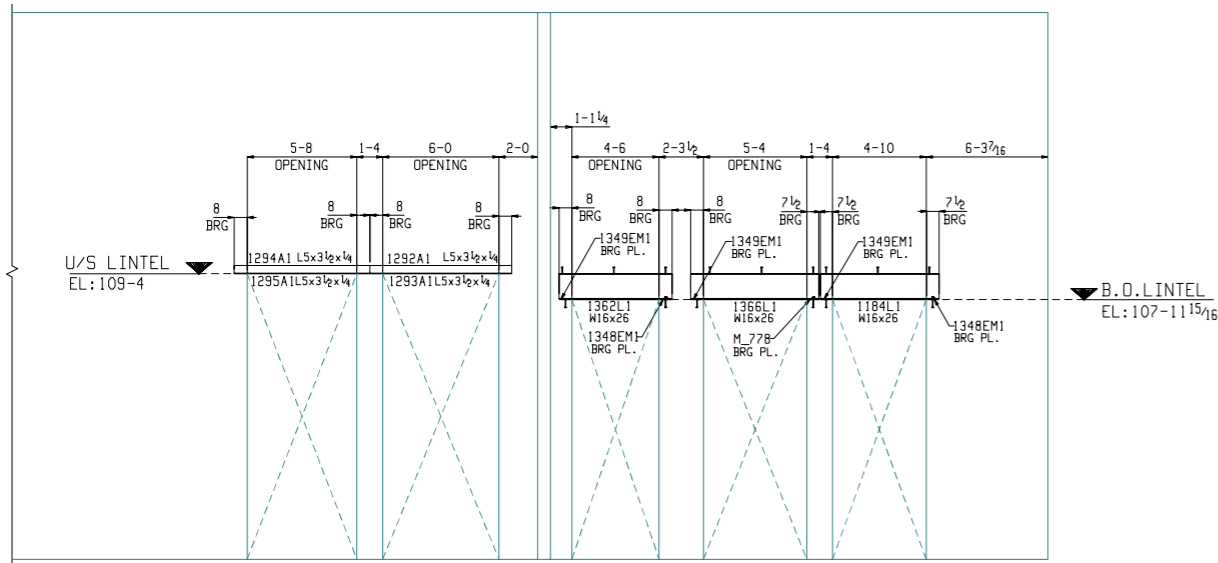


0	Nov 2 2018	ISSUED FOR CONSTRUCTION
---	------------	-------------------------

9a

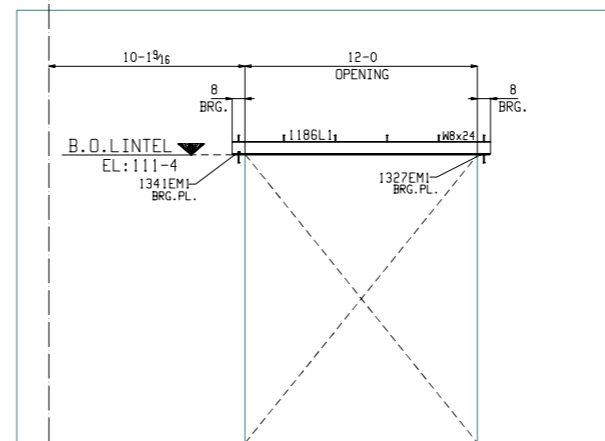


ELEVATION-11

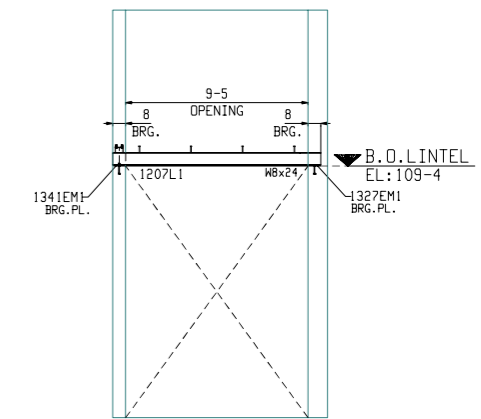


ELEVATION-12

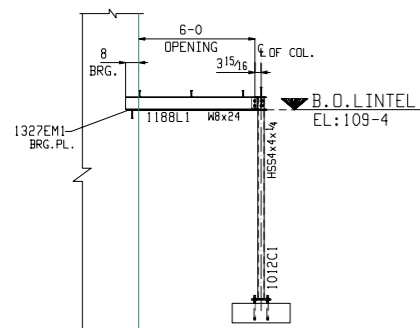
9a



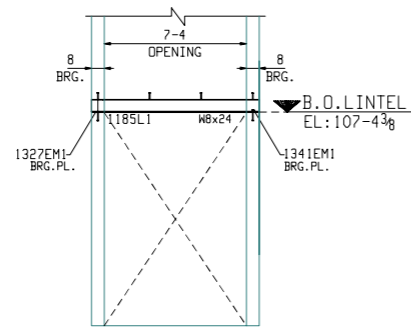
ELEVATION-13



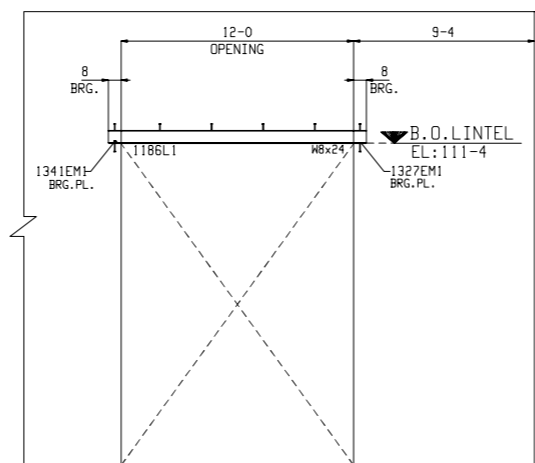
ELEVATION-14



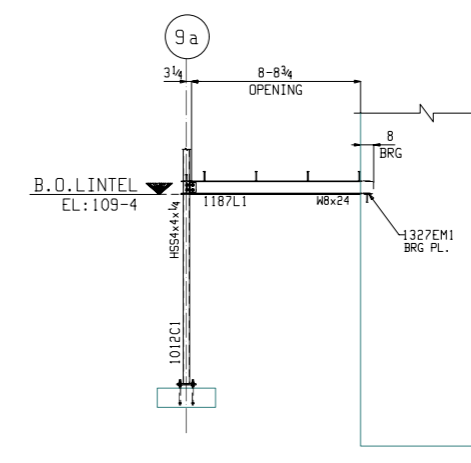
ELEVATION-15



ELEVATION-16

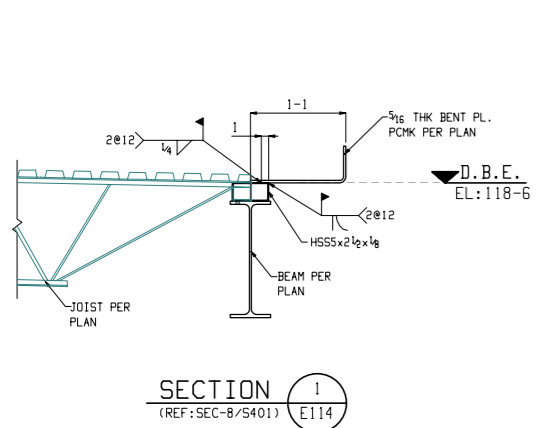


ELEVATION-17



ELEVATION-18

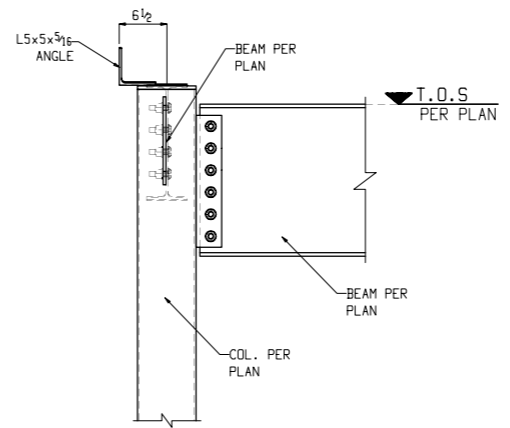




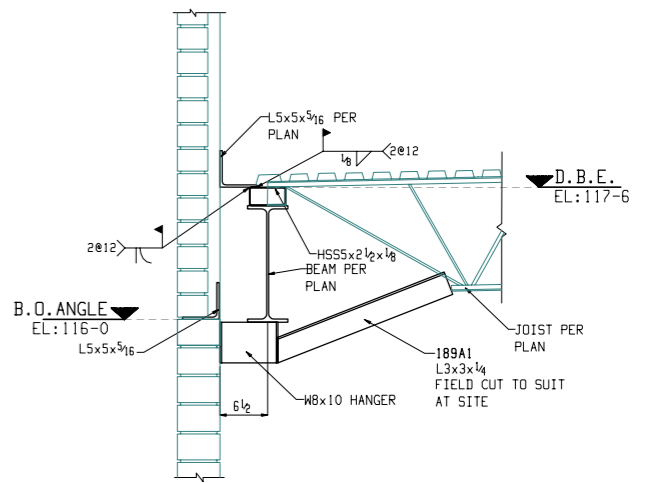
SECTION 1  
(REF: SEC-8/S401) E114



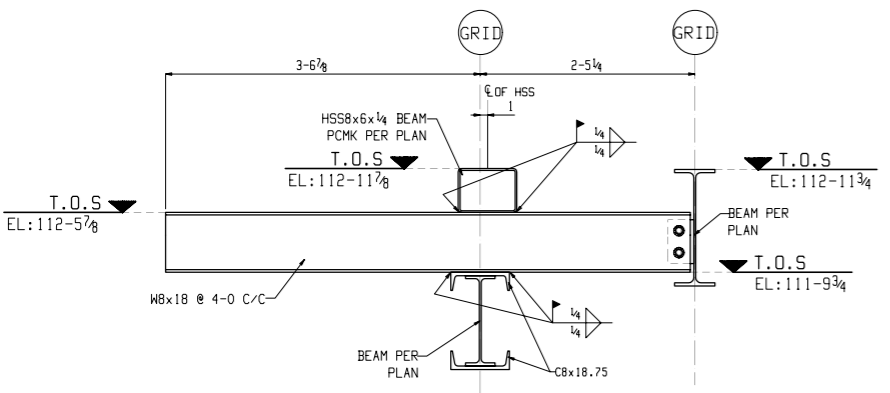
SECTION 2  
(REF: SEC-3/S401) E114



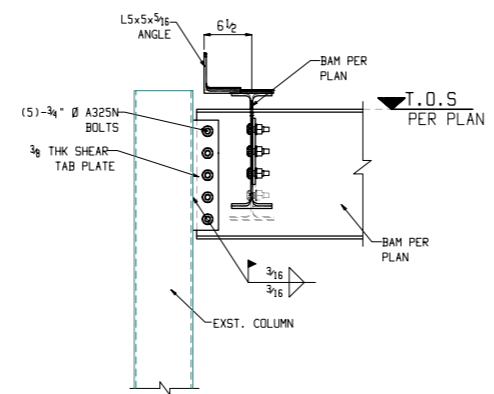
SECTION 3  
(REF: SEC-1/S401) E114



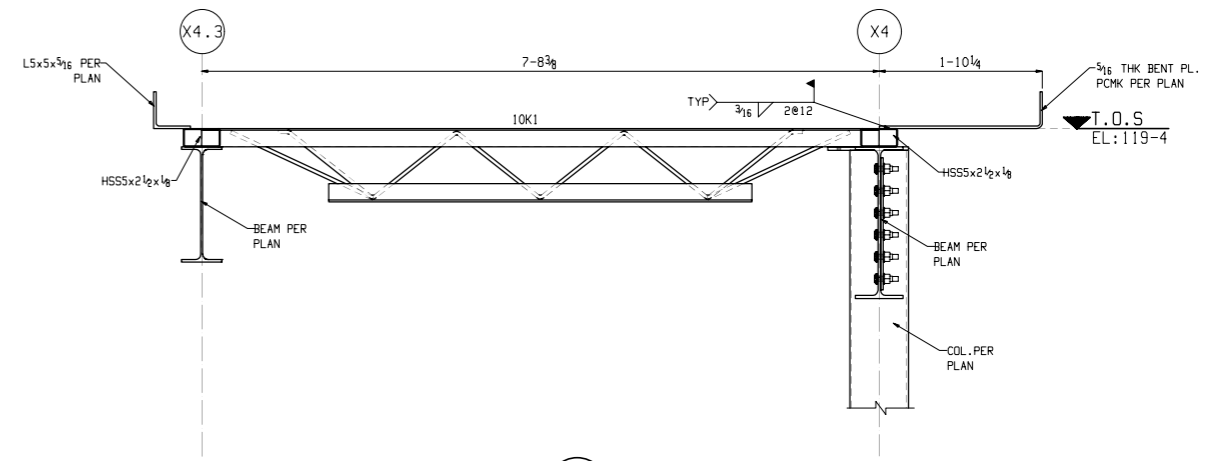
SECTION 4  
(REF: SEC-9/S404) E114



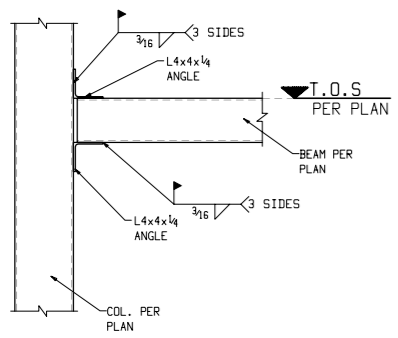
SECTION 5  
(REF: SEC-21/S401) E114



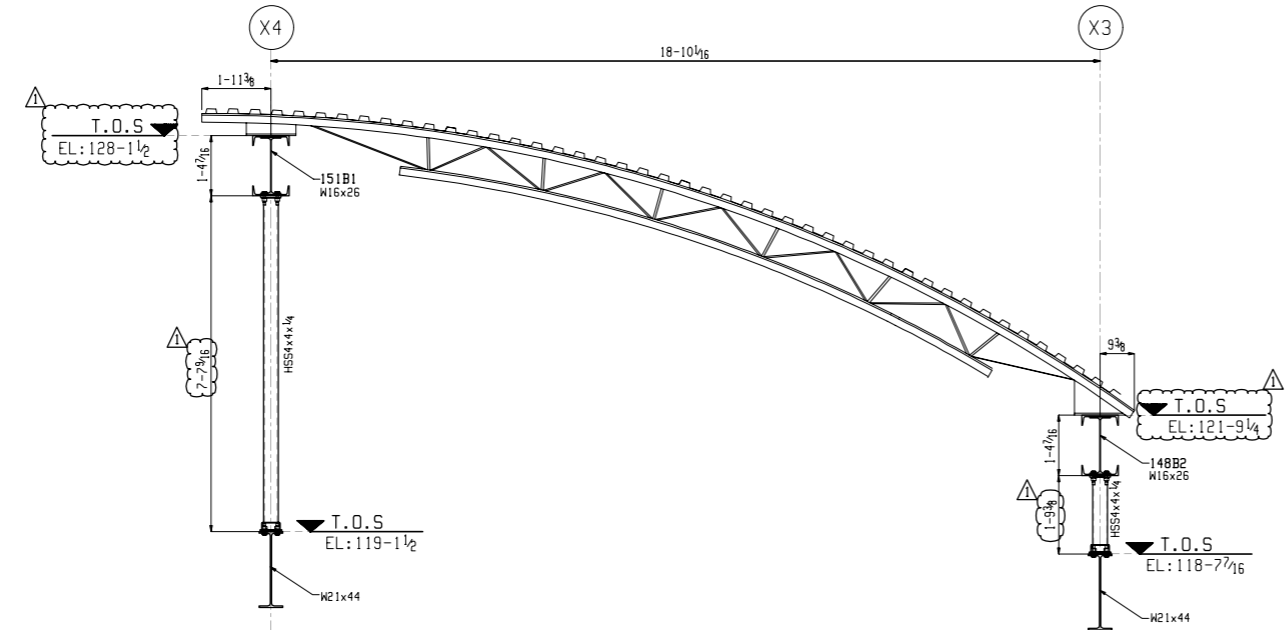
SECTION 6  
E114



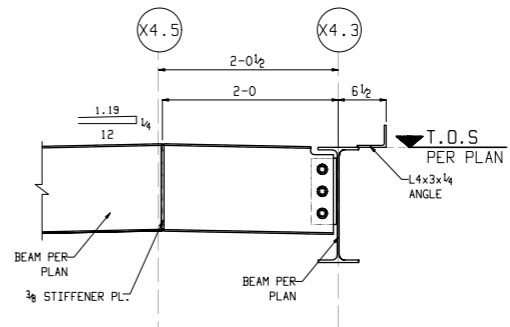
SECTION 7  
(REF: SEC-2/S404) E114



SECTION 8  
E114

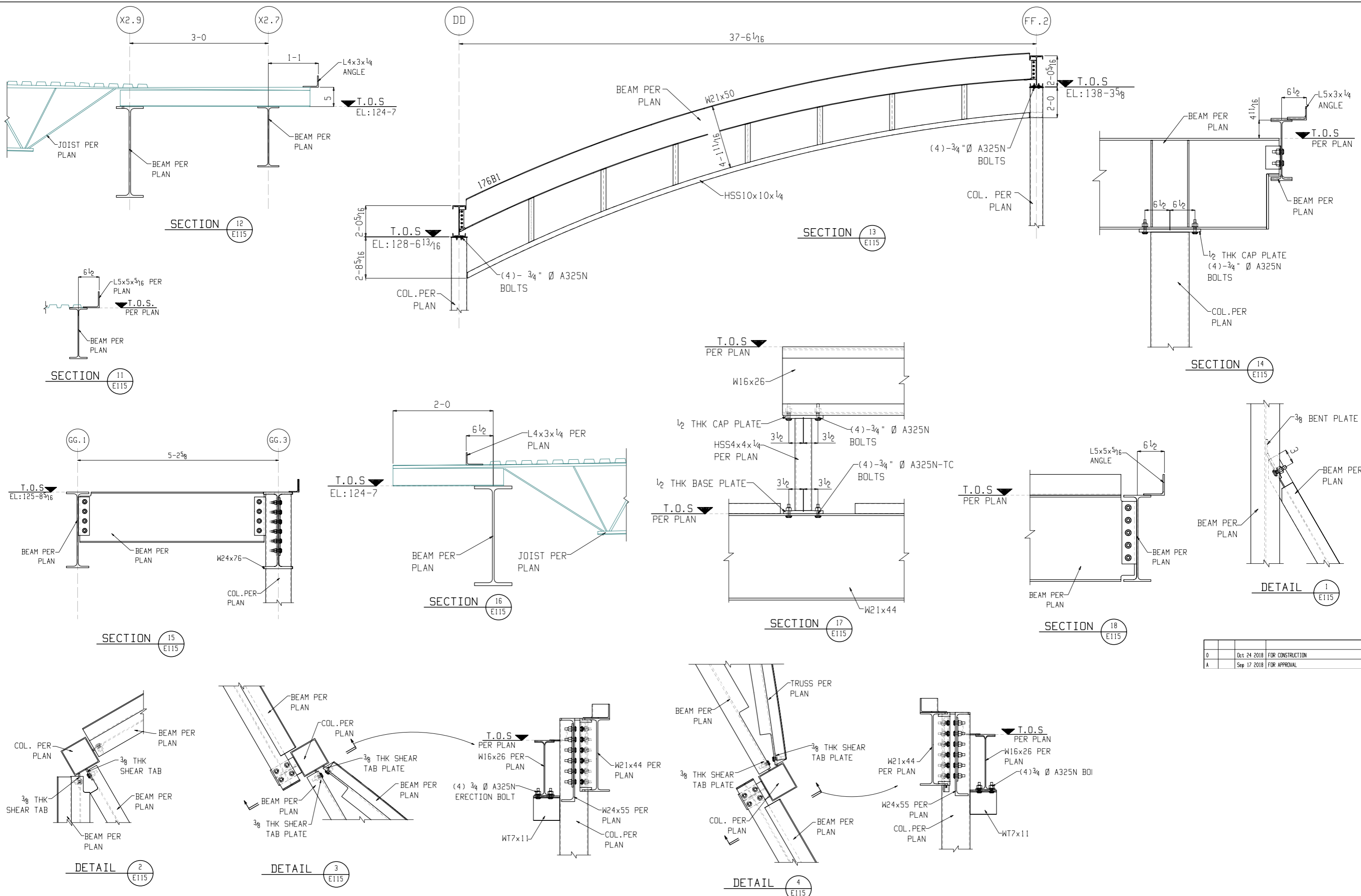


SECTION 9  
(REF: SEC-2/S404) E114

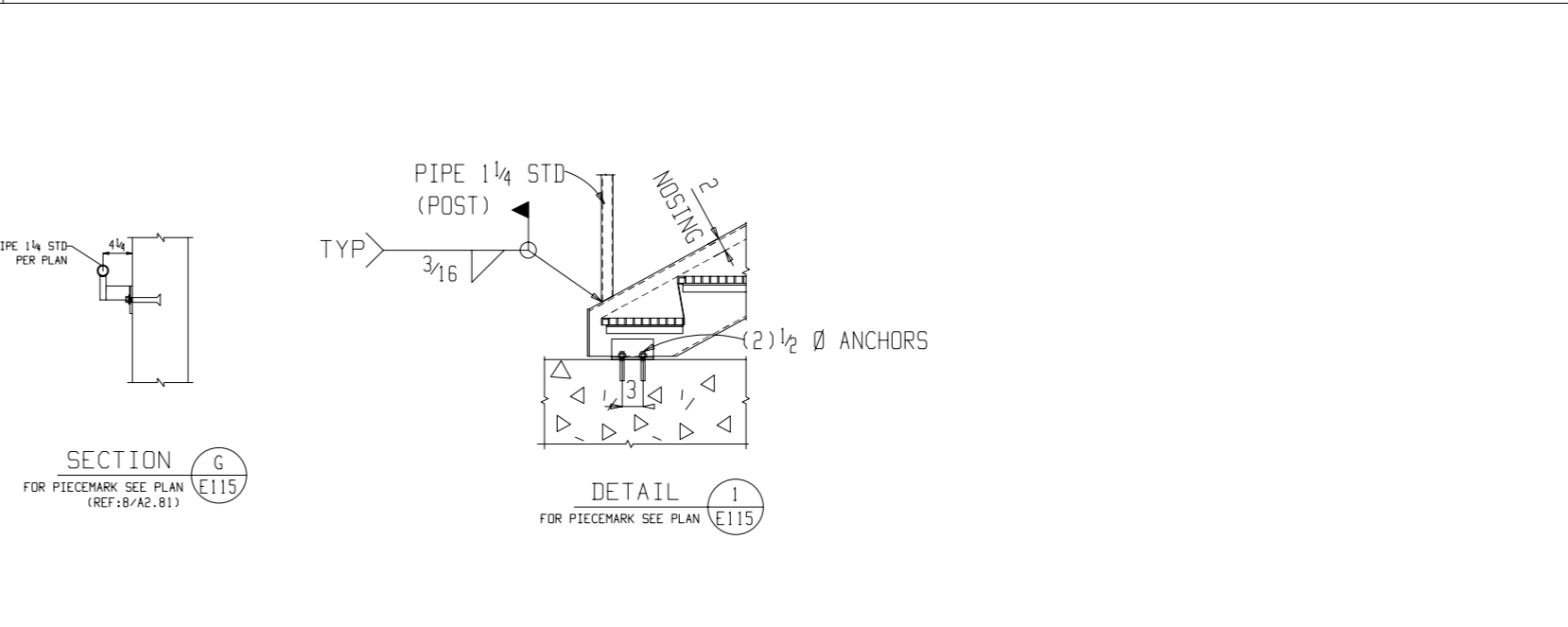
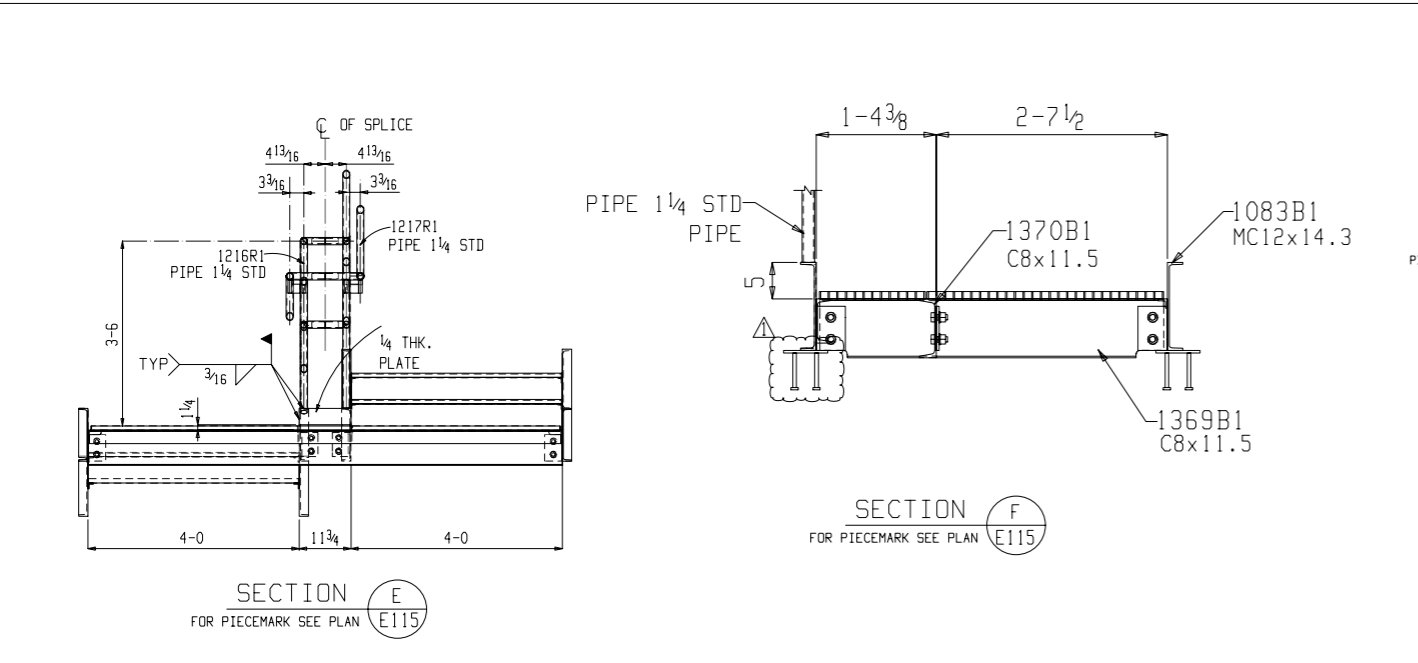
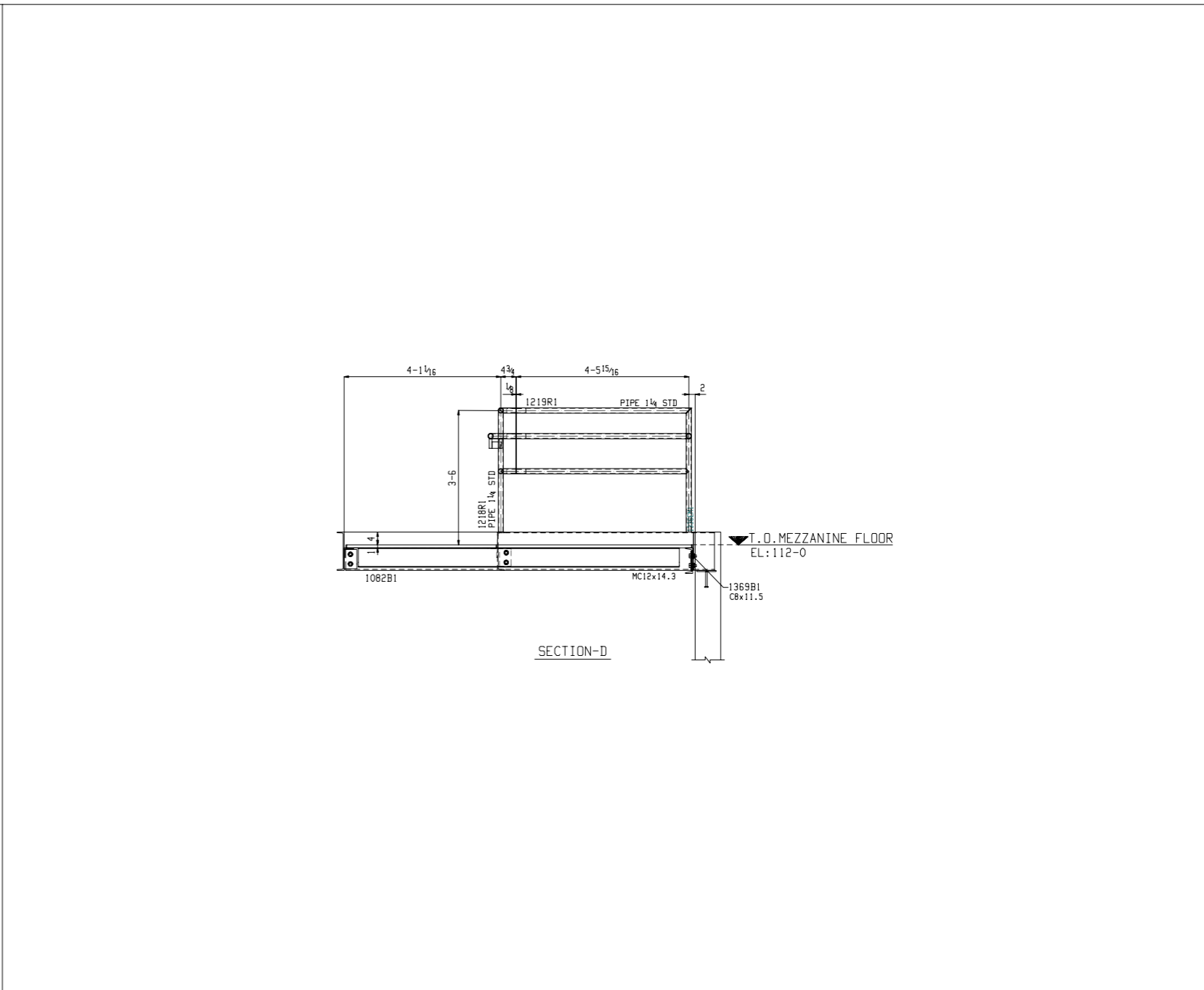
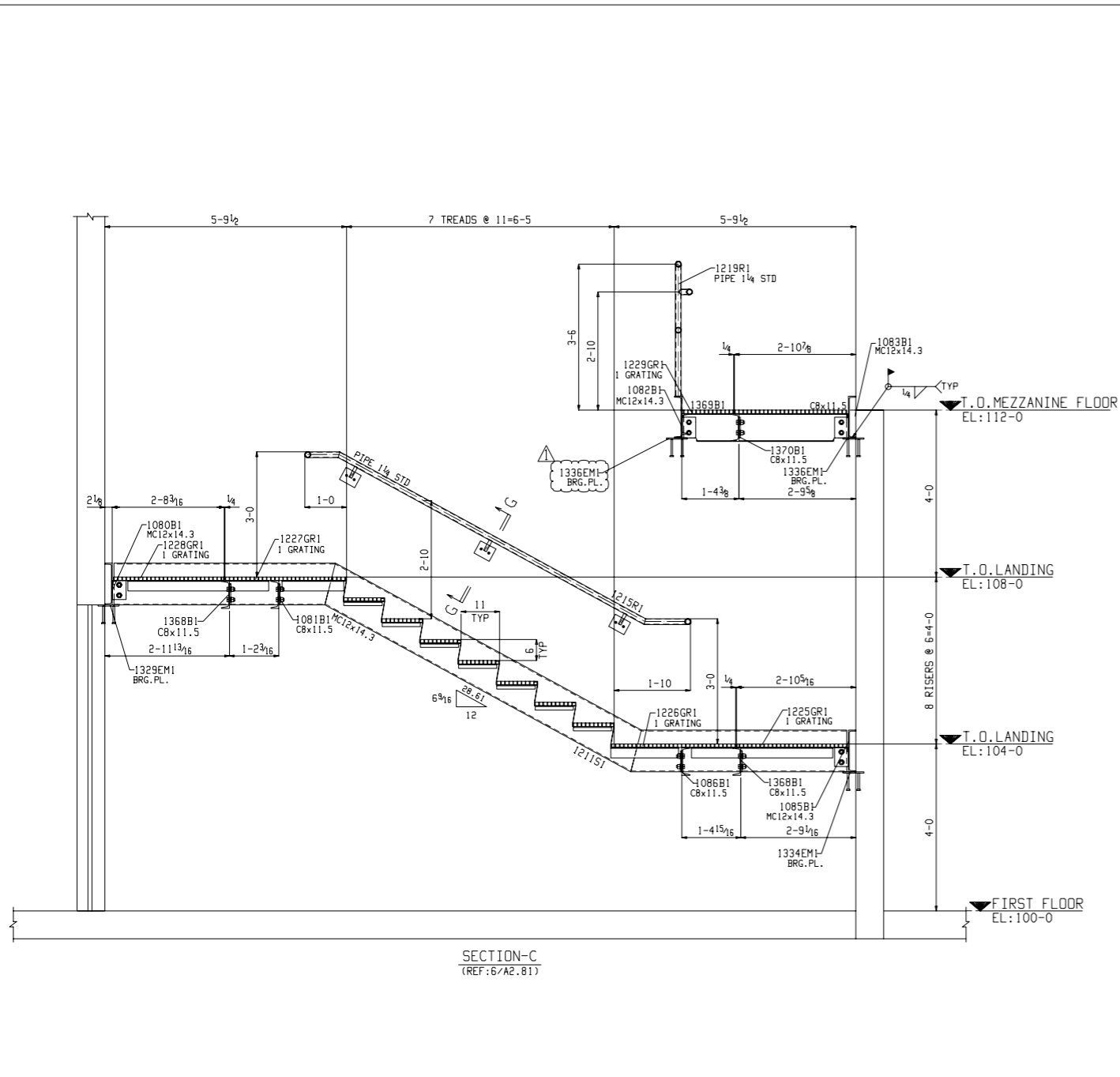


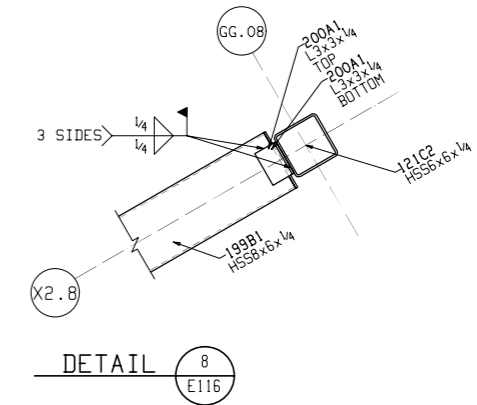
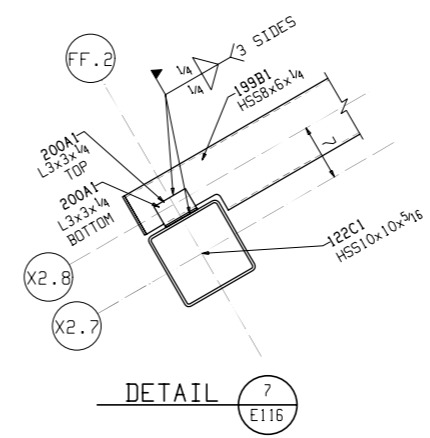
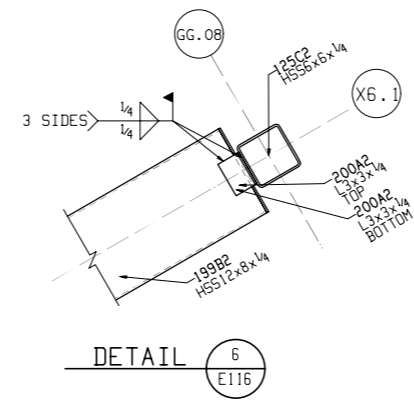
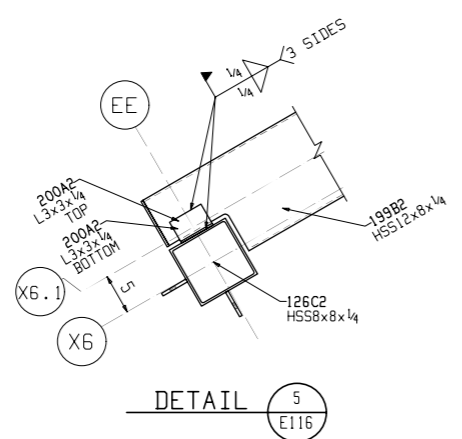
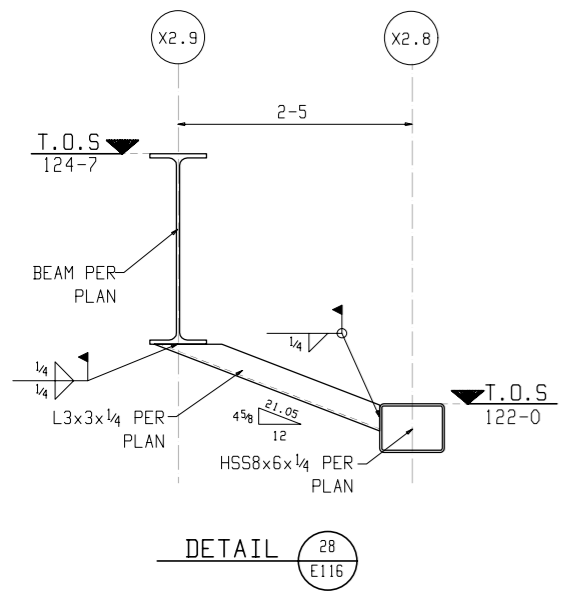
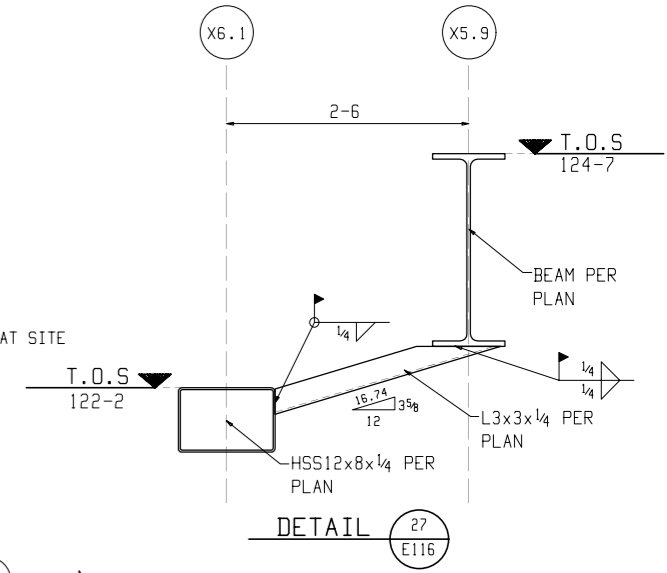
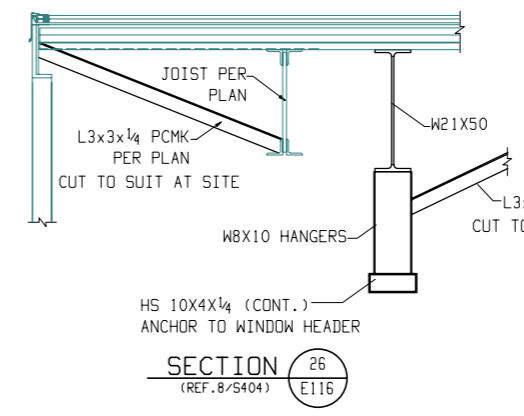
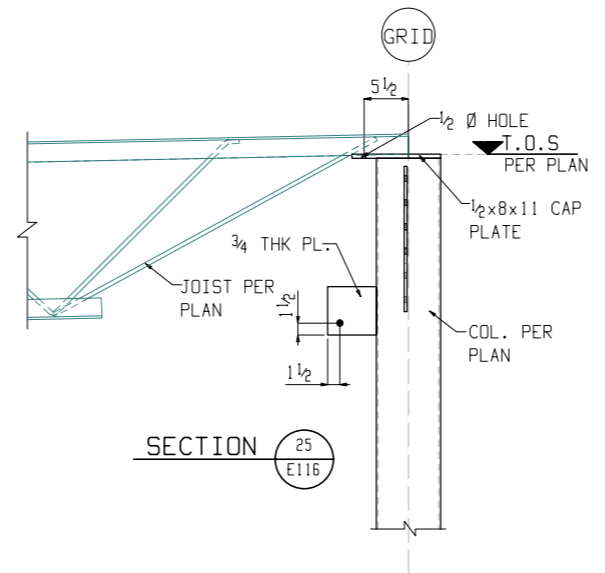
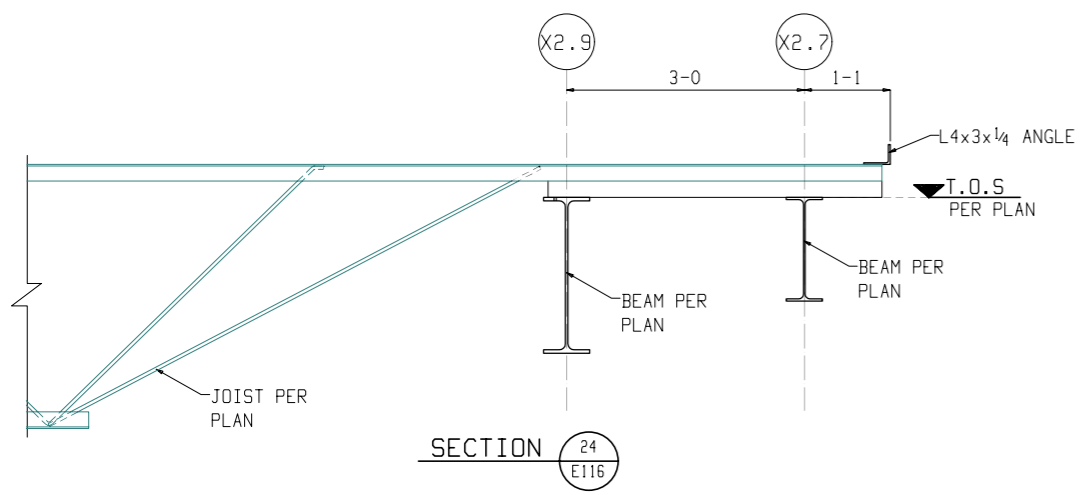
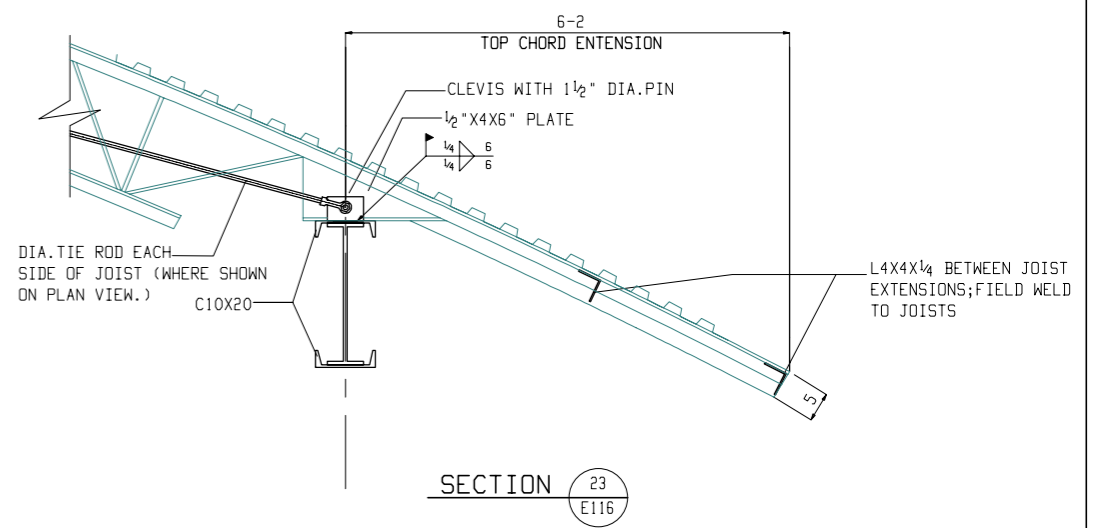
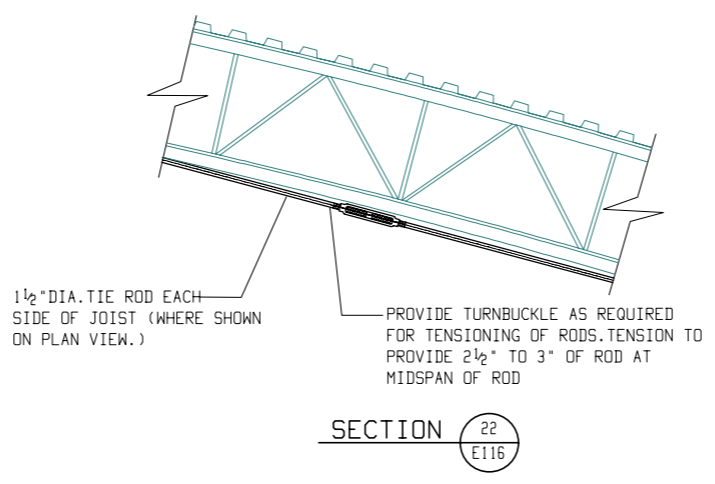
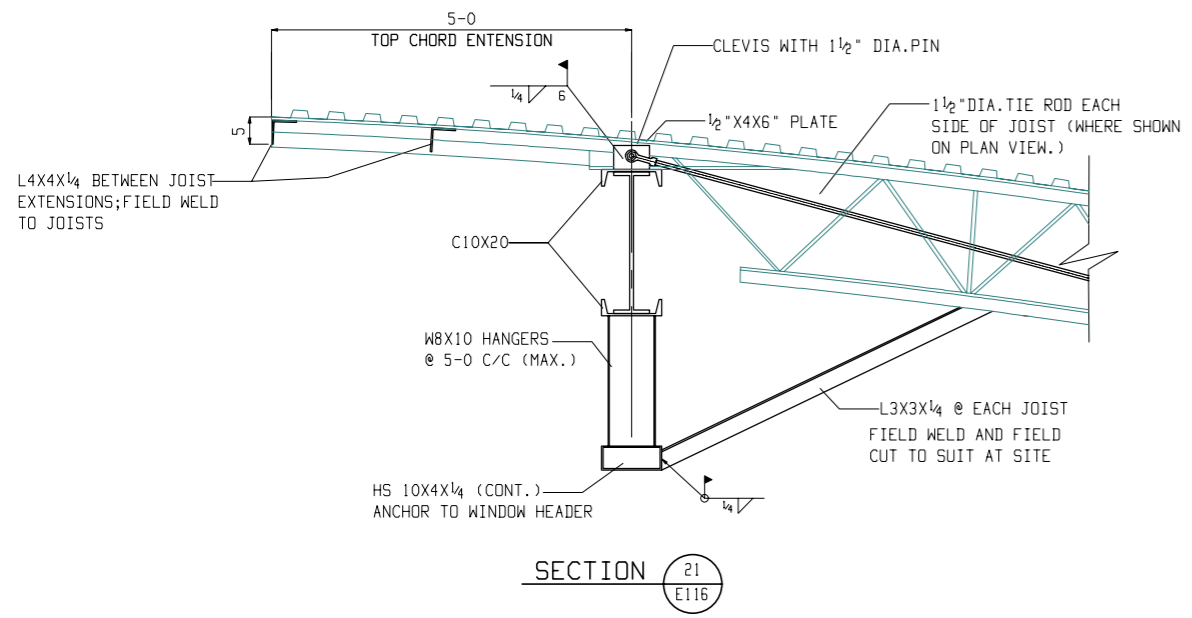
SECTION 10  
(REF: 1/S202) E114

1	Nov 14 2018	REVISED AS NOTED
0	Oct 24 2018	FOR CONSTRUCTION
A	Sep 17 2018	FOR APPROVAL

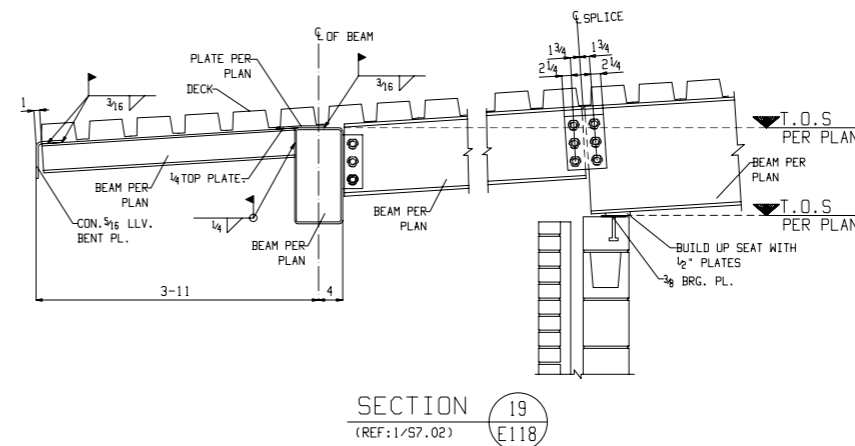
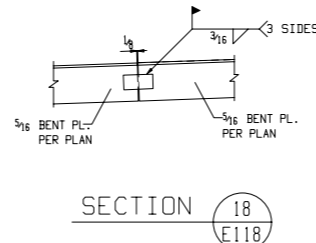
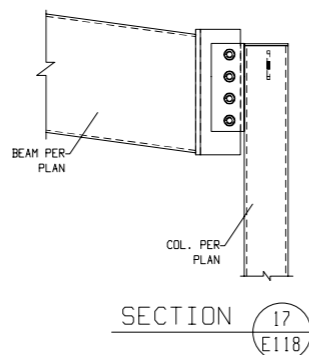
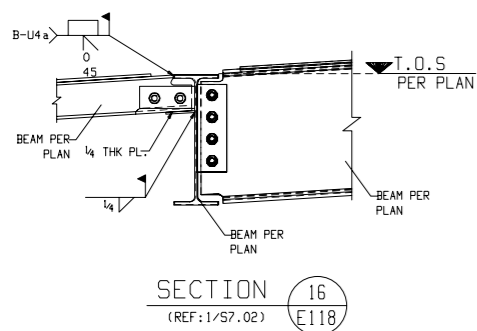
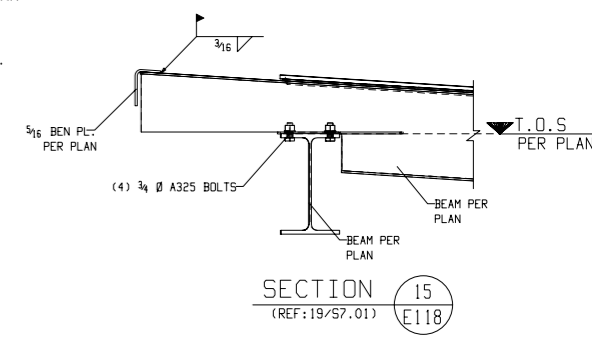
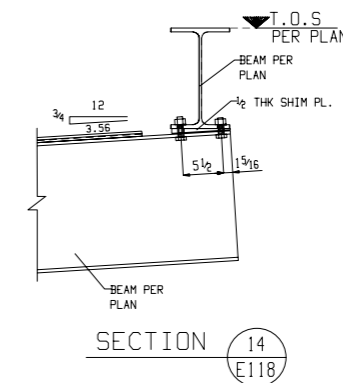
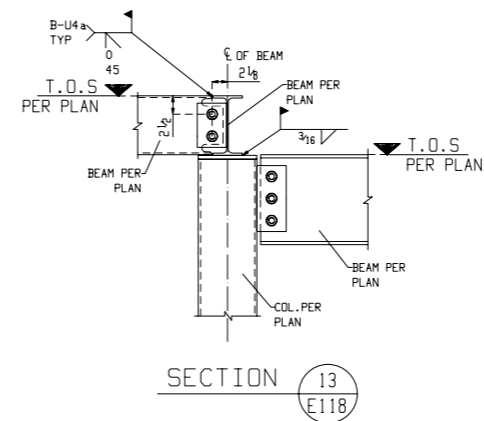
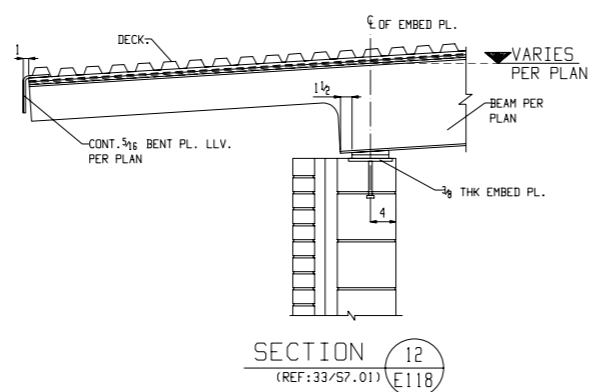
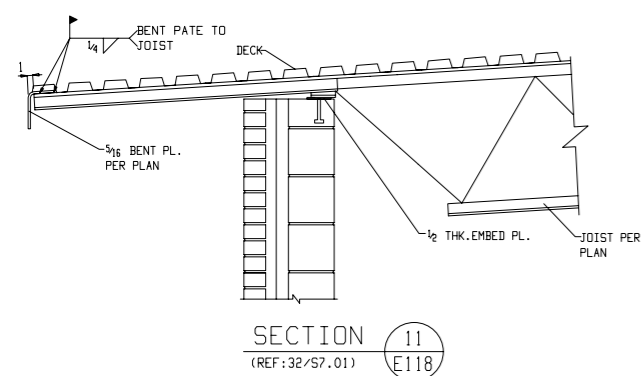
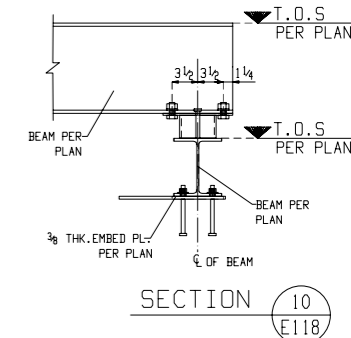
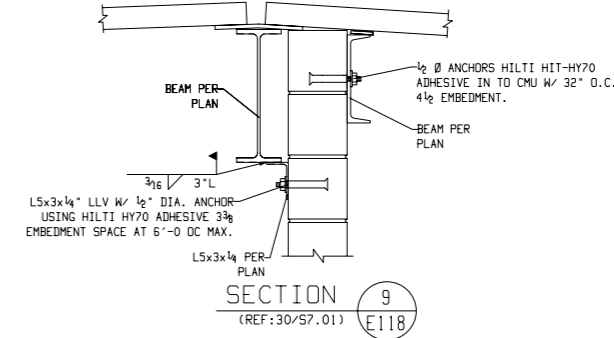
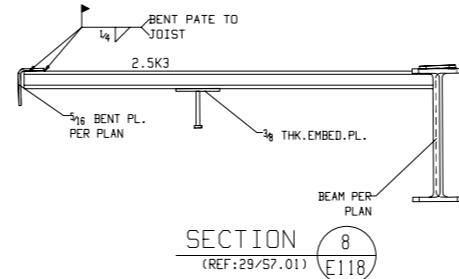
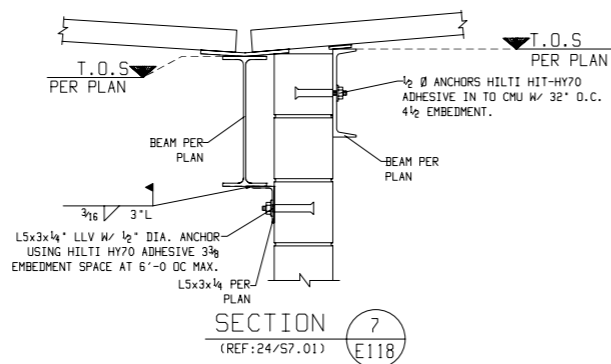
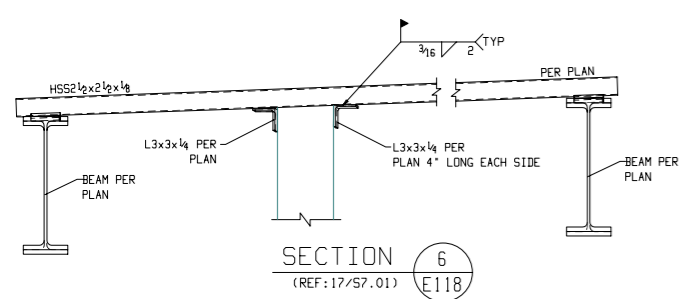
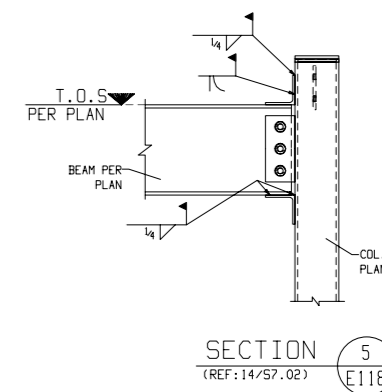
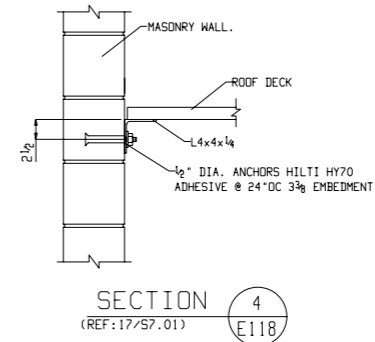
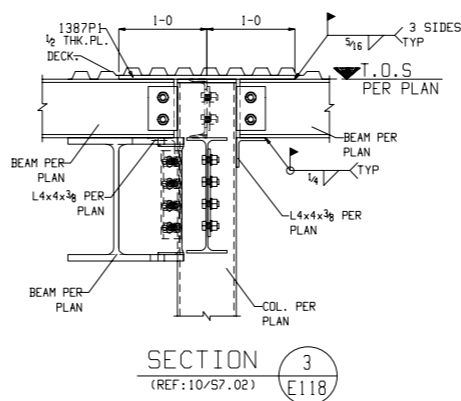
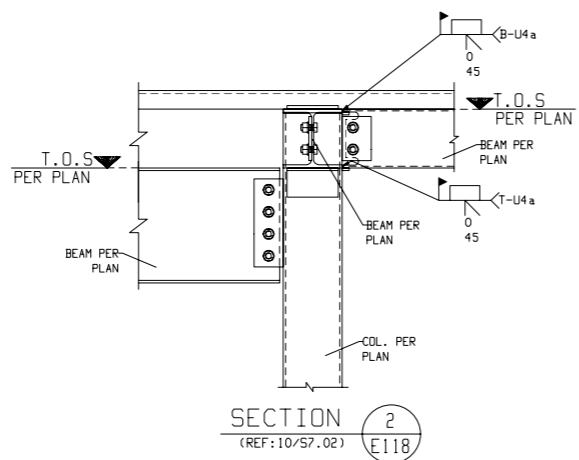
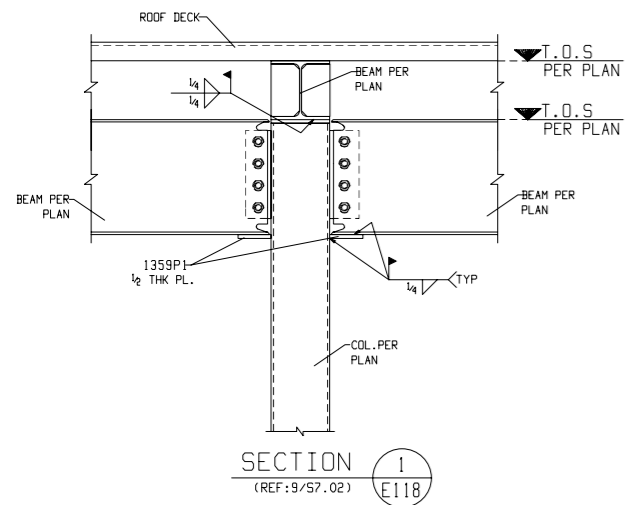


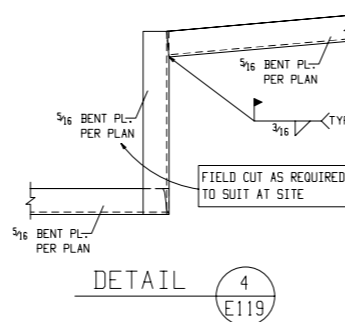
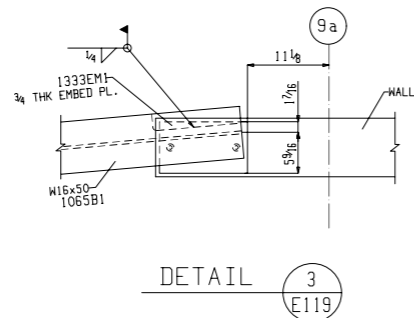
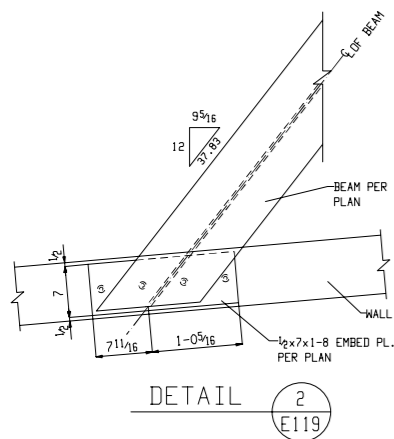
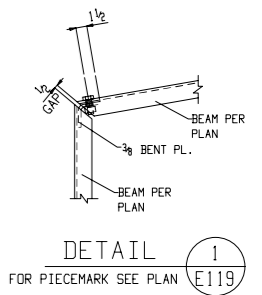
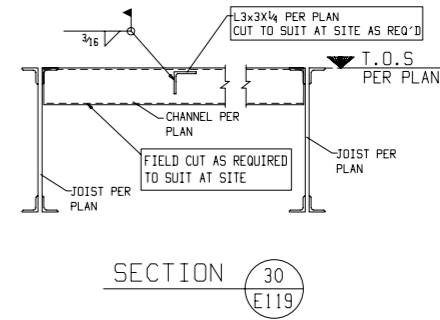
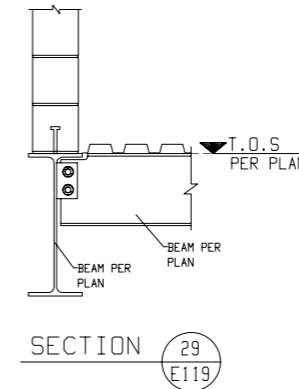
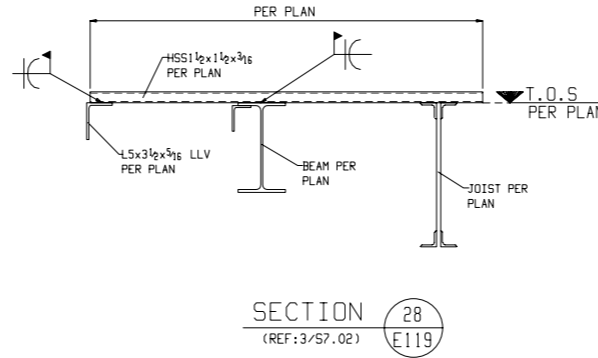
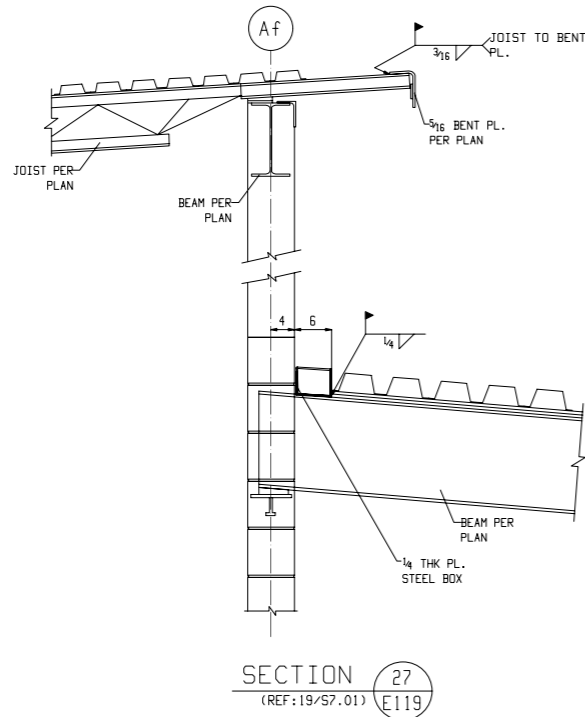
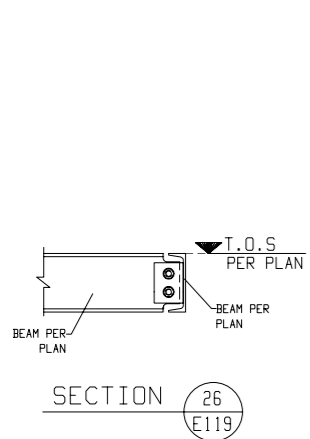
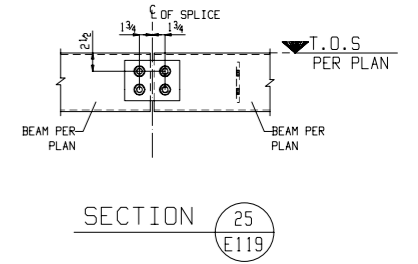
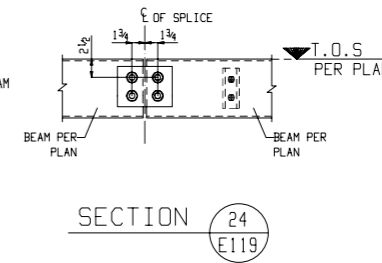
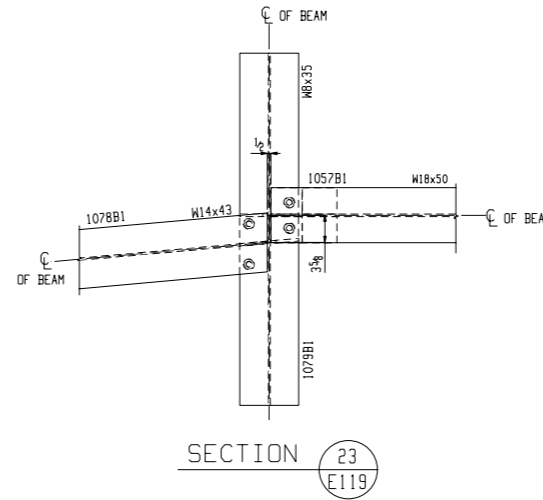
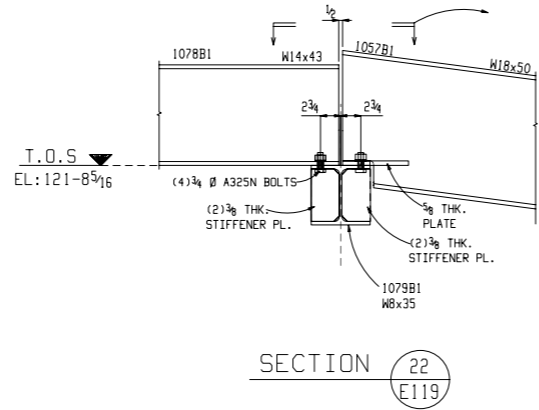
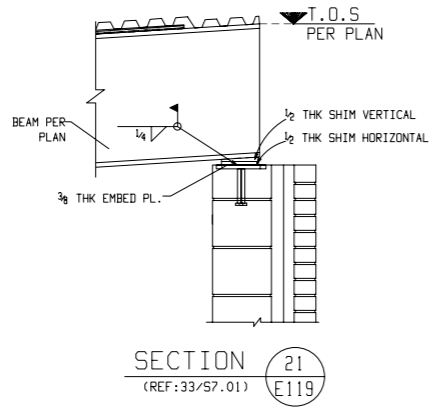
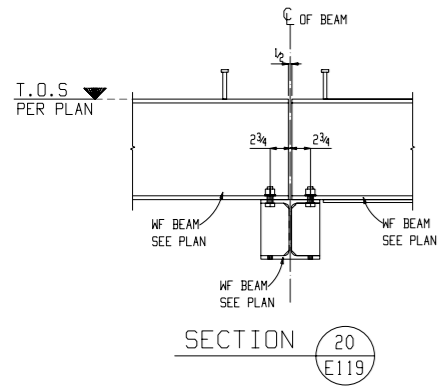
0	Oct 24 2018	FOR CONSTRUCTION
A	Sep 17 2018	FOR APPROVAL



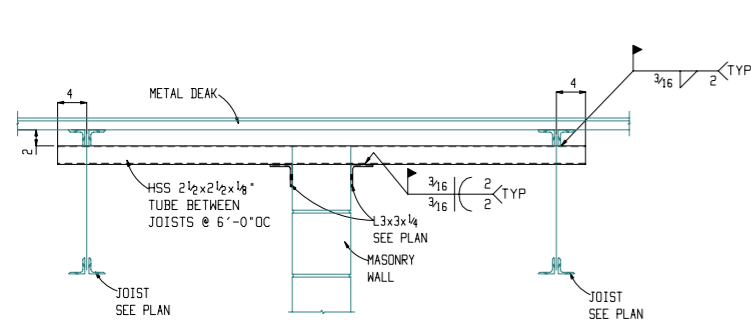


1	Jan 9 2018	FOR CONSTRUCTION
B	Dec 14 2018	REVISED AS NOTED
0	Oct 24 2018	FOR CONSTRUCTION
A	Jan 17 2018	FRP APPROVAL

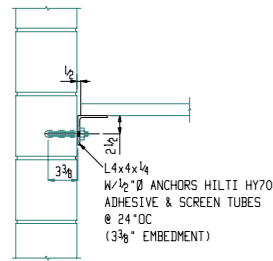




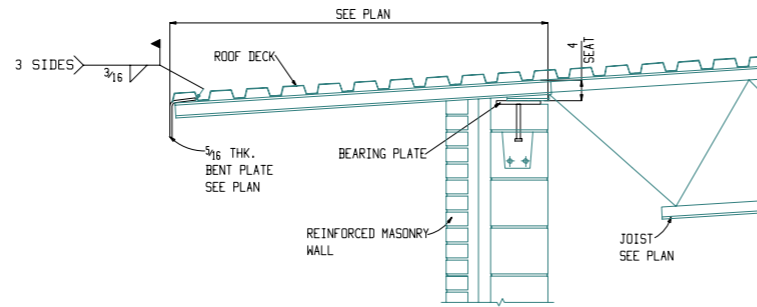




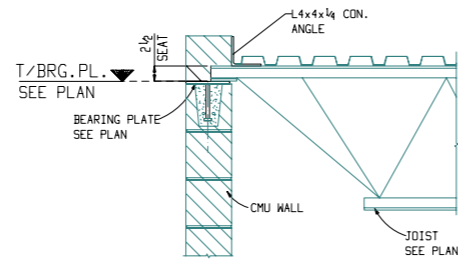
SECTION 1  
(REF. SEC-17/S7.01)  
FOR PIECEMARK SEE PLAN



SECTION 5  
(REF. SEC-14/S7.01)  
FOR PIECEMARK SEE PLAN

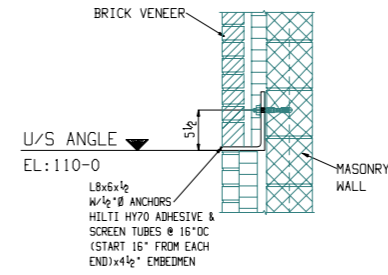


SECTION 2  
(REF. SEC-32/S7.01)  
FOR PIECEMARK SEE PLAN

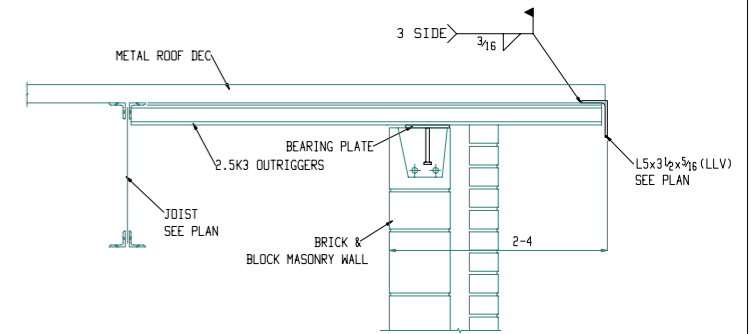


SECTION X  
FOR PIECEMARK SEE PLAN

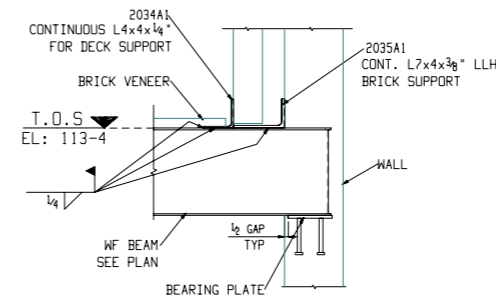
SECTION 6  
(REF. SEC-5/S7.02)  
FOR PIECEMARK SEE PLAN



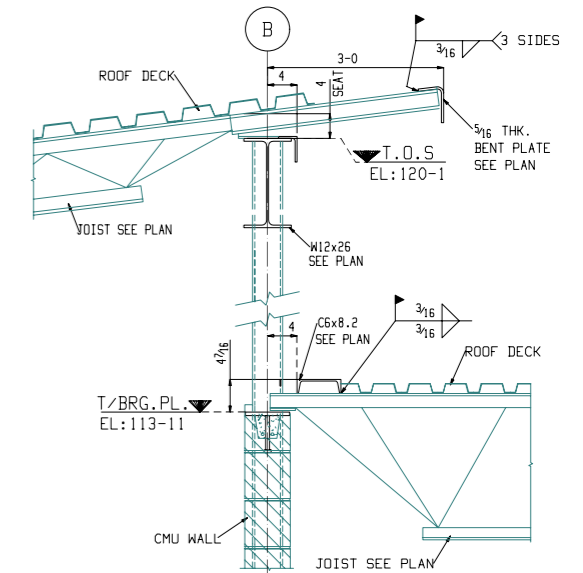
SECTION 3  
(REF. SEC-7/S7.02)  
FOR PIECEMARK SEE PLAN



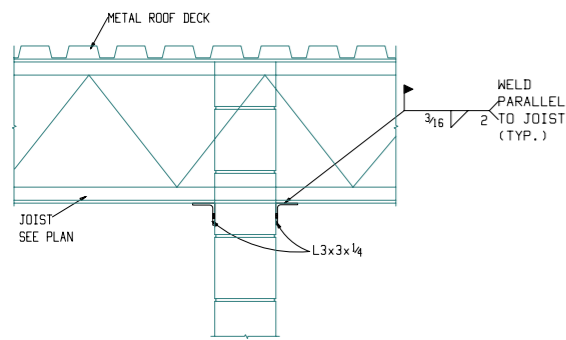
SECTION 4  
(REF. SEC-29/S7.02)  
FOR PIECEMARK SEE PLAN



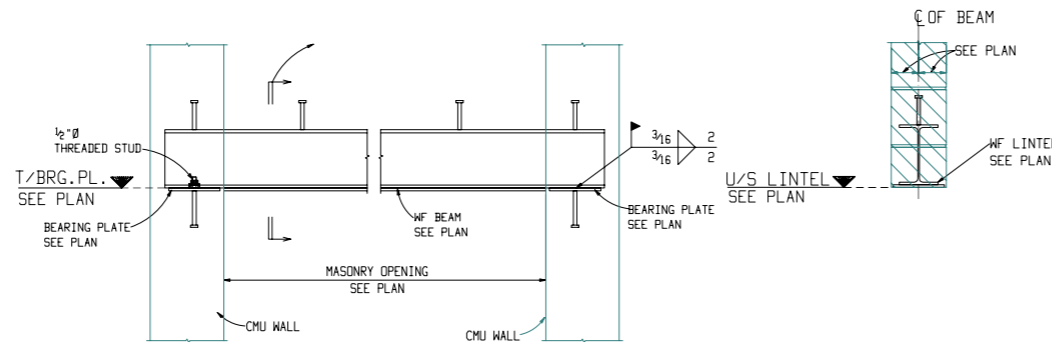
SECTION 7  
(REF. SEC-6/S7.02)  
FOR PIECEMARK SEE PLAN  
ROOF FRAMING DETAIL



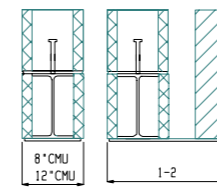
SECTION 8  
(REF. SEC-20/S7.01)  
FOR PIECEMARK SEE PLAN  
ROOF FRAMING DETAIL



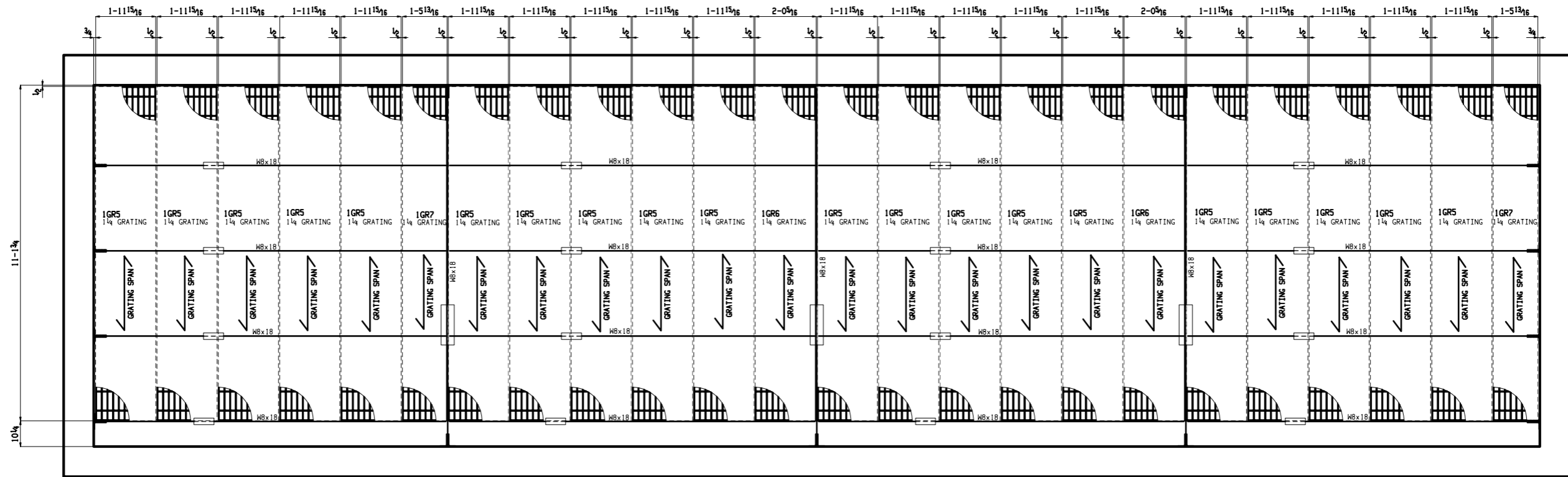
SECTION 9  
(REF. SEC-18/S7.01)  
FOR PIECEMARK SEE PLAN  
ROOF FRAMING DETAIL



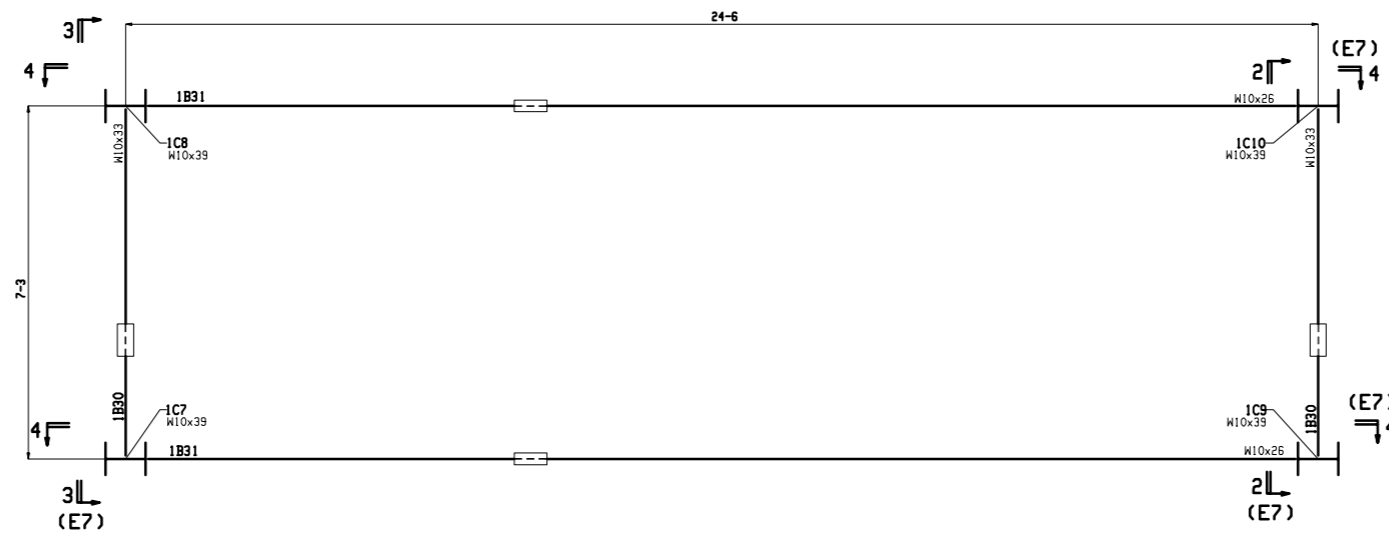
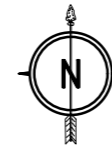
SECTION 10  
E205  
TYP LINTEL SECTION



SECTION 11  
E205



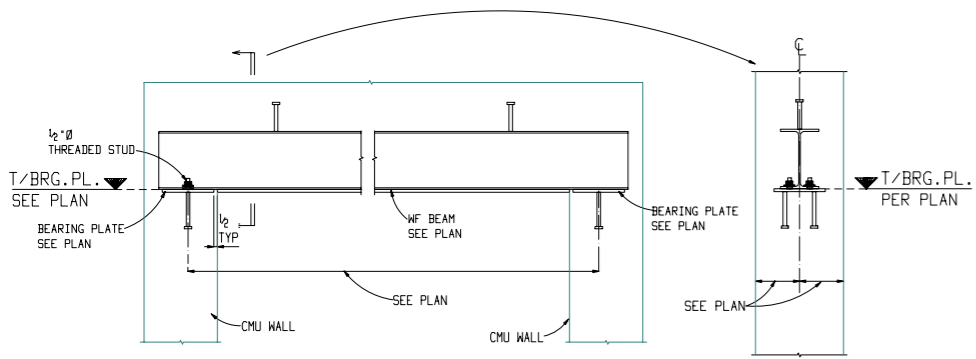
SUMP BASIN FLOOR GRATING PLAN  
 TOP OF GRATING ELEVATION: 1027-6 (U.N.O.) (REF:STR-9100)



PIPE RACK FRAMING PLAN  
 TOP OF STEEL ELEVATION: 1035-6 (U.N.O.)  
 (REF:STR-9101)

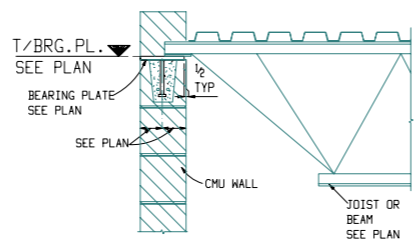




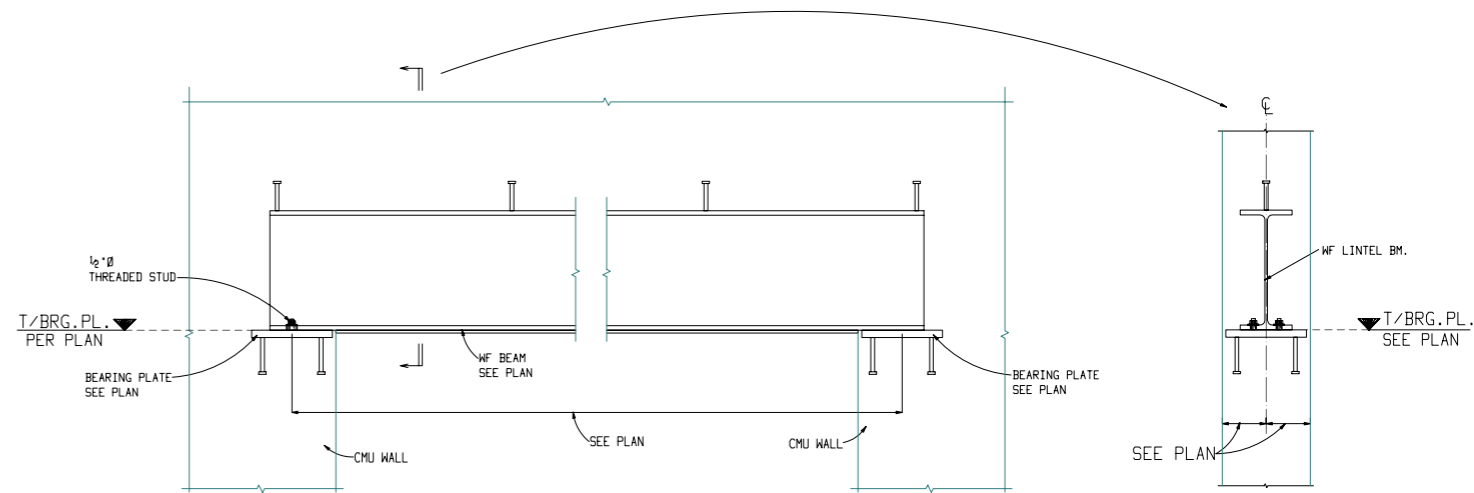


TYP LINTEL SECTION

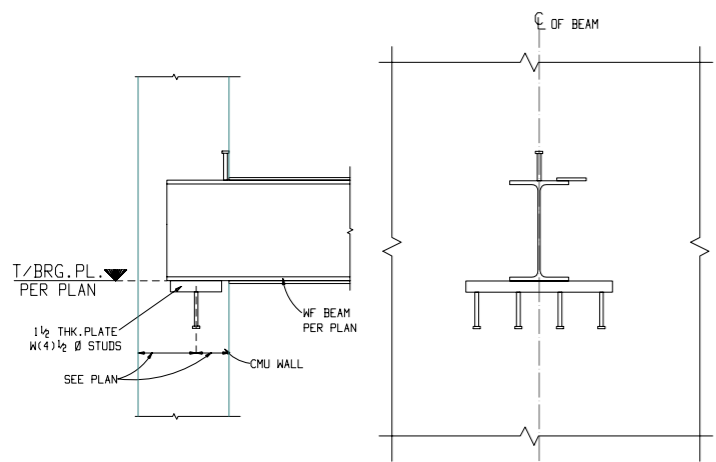
SECTION 1  
EM105



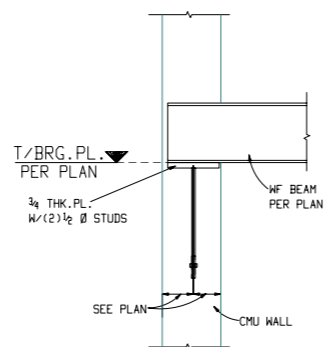
SECTION 2  
(REF:5/57.02) EM105



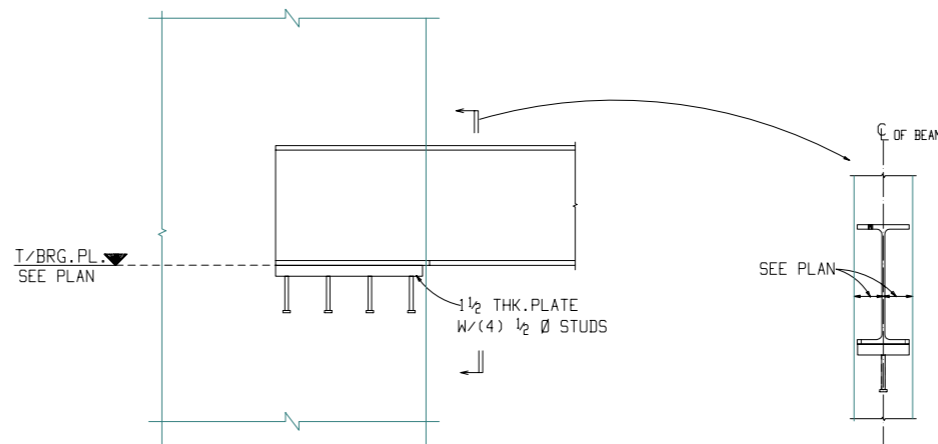
SECTION 3  
EM105



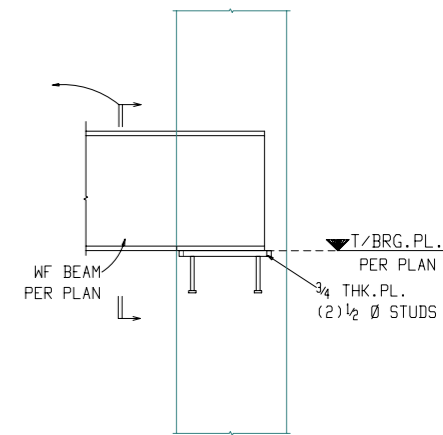
SECTION 4  
EM105



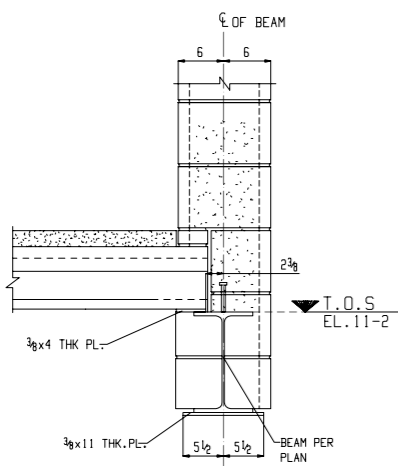
SECTION 5  
EM105



SECTION 6  
EM105



SECTION 7  
EM105



SECTION 8  
EM100