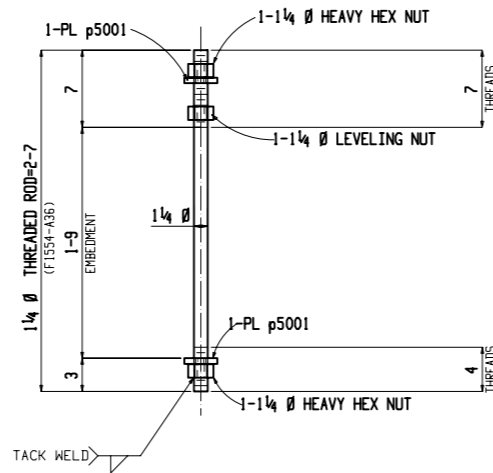
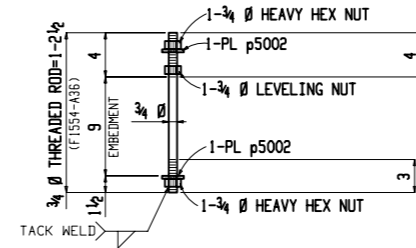


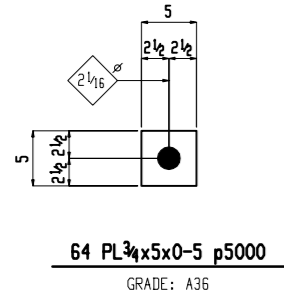
32 ANCHOR RODS 5000-AB1



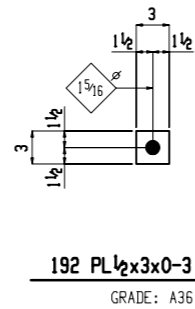
96 ANCHOR RODS 5000-AB2



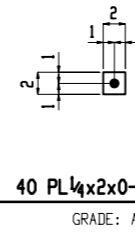
20 ANCHOR RODS 5000-AB3



64 PL 3/4x5x0-5 p5000
GRADE: A36



192 PL 1/2x3x0-3 p5001
GRADE: A36

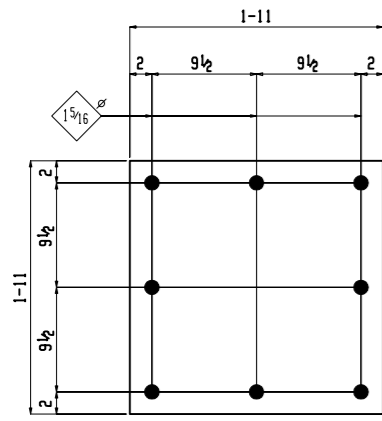


40 PL 1/4x2x0-2 p5002
GRADE: A36

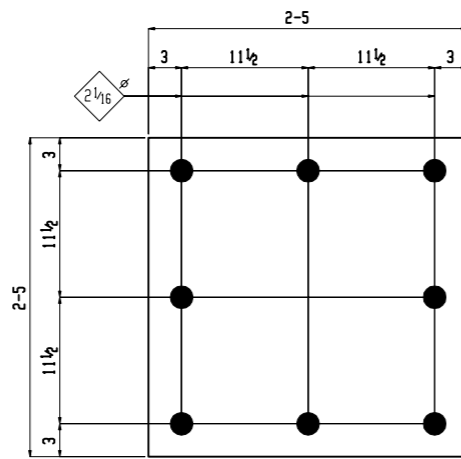
BILL OF MATERIAL

PC MARK	MINOR MARK	QTY TOTAL	DESCRIPTION	LENGTH FEET-INCHES	REMARKS	WEIGHT TOTAL
5000-AB1		32	ANCHOR ROD			1321
	5000-AB1	32	2 DIA ROD	3 - 0 1/4	T2E F1554-A36	1026
	p5000	64	PL 3/4x5	0 - 5	A36	295
			96 2 DIA HEAVY HEX NUT		HNNT A563	
5000-AB2		96	ANCHOR ROD			1236
	5000-AB2	96	1 1/4 DIA ROD	2 - 7	T2E F1554-A36	1028
	p5001	192	PL 1/2x3	0 - 3	A36	208
			288 1 1/4 DIA HEAVY HEX NUT		HNNT A563	
5000-AB3		20	ANCHOR ROD			46
	5000-AB3	20	3/4 DIA ROD	1 - 2 1/2	T2E F1554-A36	36
	p5002	40	PL 1/4x2	0 - 2	A36	10
			60 3/4 DIA HEAVY HEX NUT		HNNT A563	

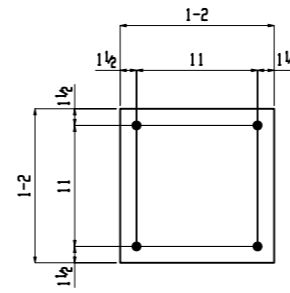
GENERAL NOTES:
 ALL FASTENERS TO BE A-325 TENSION CONTROL BOLTS U.N.O
 ALL RE-ENTRY CUTS TO HAVE MIN. 1/2" RADIUS
 FABRICATE ALL MEMBERS WITH MATERIAL CAMBER UP.
 MINIMUM SIZE OF FILLET WELDS TO BE 3/16" U.N.



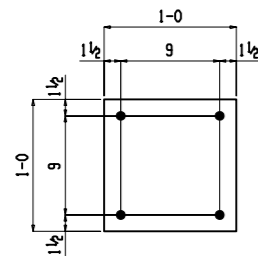
ONE TEMPLATE 5001-TP1



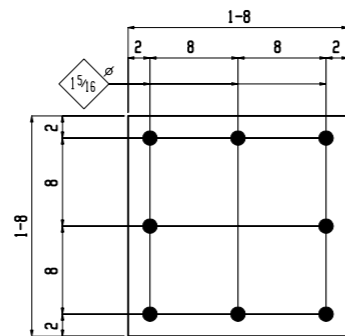
ONE TEMPLATE 5001-TP2



ONE TEMPLATE 5001-TP3



ONE TEMPLATE 5001-TP4



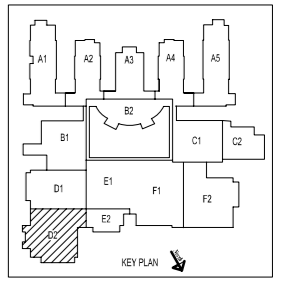
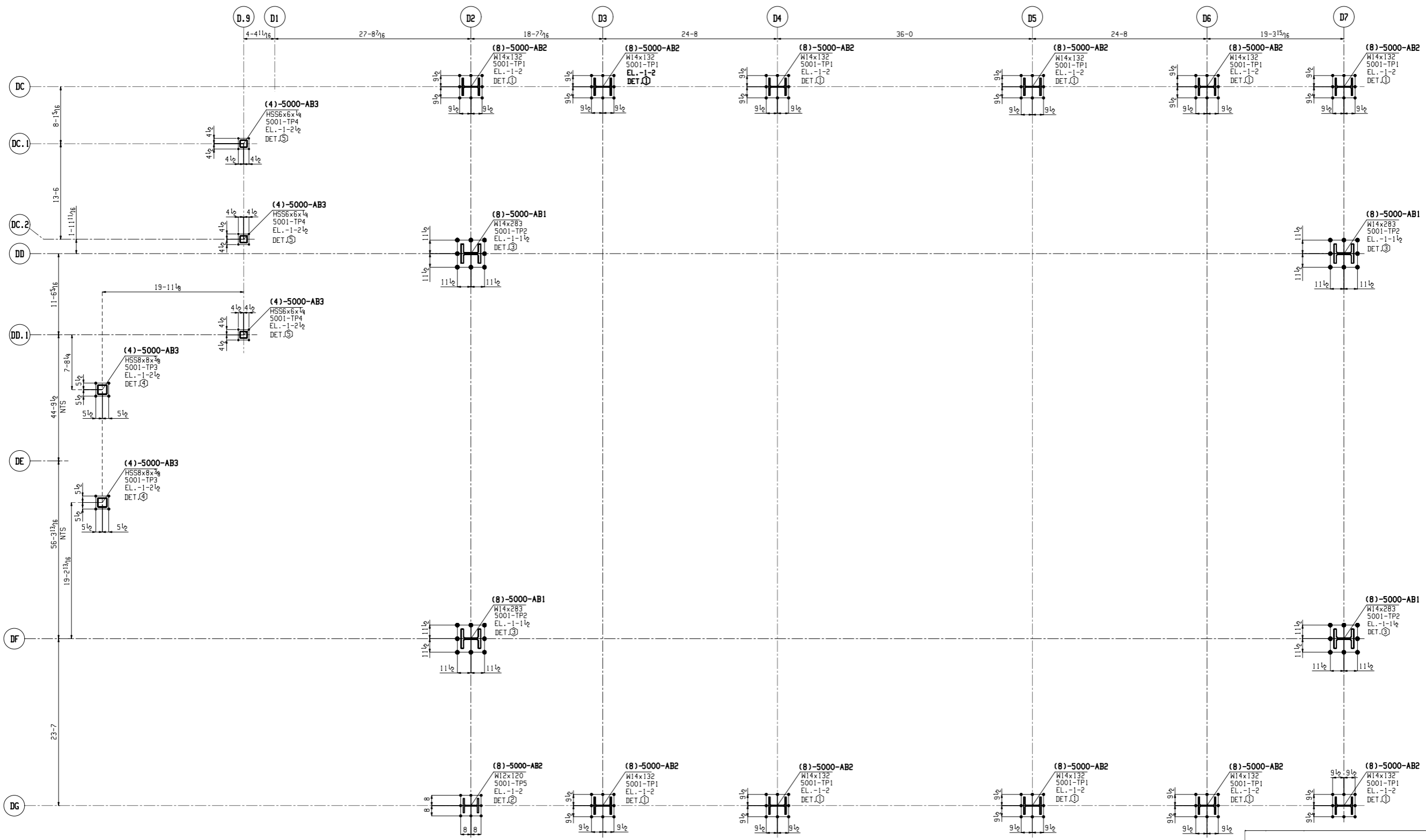
ONE TEMPLATE 5001-TP5

BILL OF MATERIAL

PC MARK	MINOR MARK	QTY TOTAL	DESCRIPTION	LENGTH FEET-INCHES	REMARKS	WEIGHT TOTAL
5001-TP1		ONE TEMPLATE				18
	5001-TP1	1	PL 1/2x23	1-11	A36	18
5001-TP2		ONE TEMPLATE				29
	5001-TP2	1	PL 1/2x29	2-5	A36	29
5001-TP3		ONE TEMPLATE				6
	5001-TP3	1	PL 1/2x14	1-0	A36	6
5001-TP4		ONE TEMPLATE				5
	5001-TP4	1	PL 1/2x12	1-0	A36	5
5001-TP5		ONE TEMPLATE				14
	5001-TP5	1	PL 1/2x20	1-8	A36	14

GENERAL NOTES:
 ALL FASTENERS TO BE A-325 TENSION CONTROL BOLTS U.N.O
 ALL RE-ENTRY CUTS TO HAVE MIN. 1/2" RADIUS
 FABRICATE ALL MEMBERS WITH MATERIAL CAMBER UP.
 MINIMUM SIZE OF FILLET WELDS TO BE 3/16" U.N.

HOLES: 13/16 DIA. U.N. WELDS: E70XX ELECTRODES (OR APPROVED EQUAL)

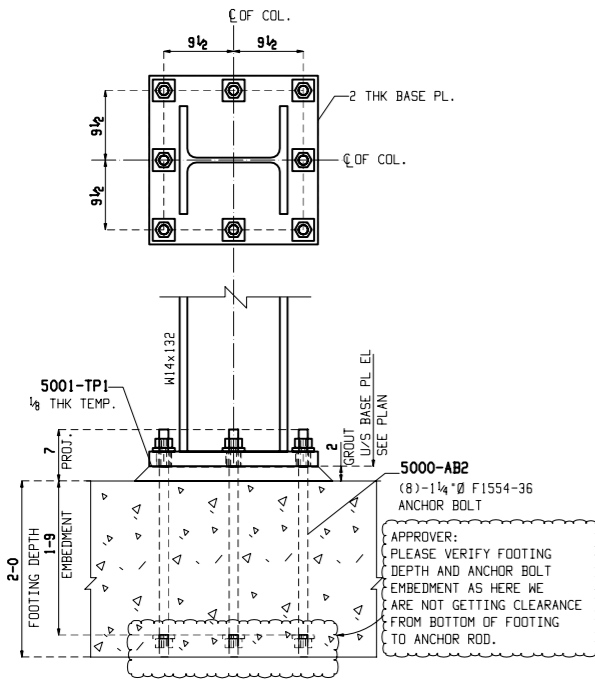


ANCHOR BOLT PLAN-AREA D2
(REF: SD2.2)

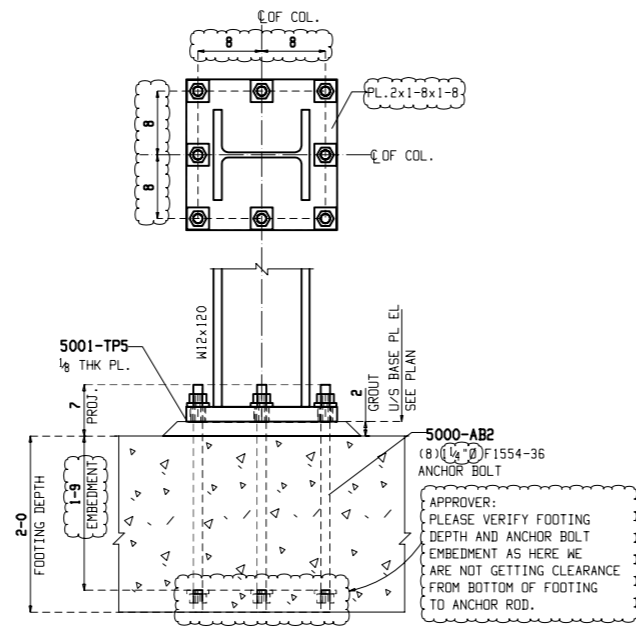


PLAN NOTES:
1. SEE SHEET AB5001 FOR DETAILS

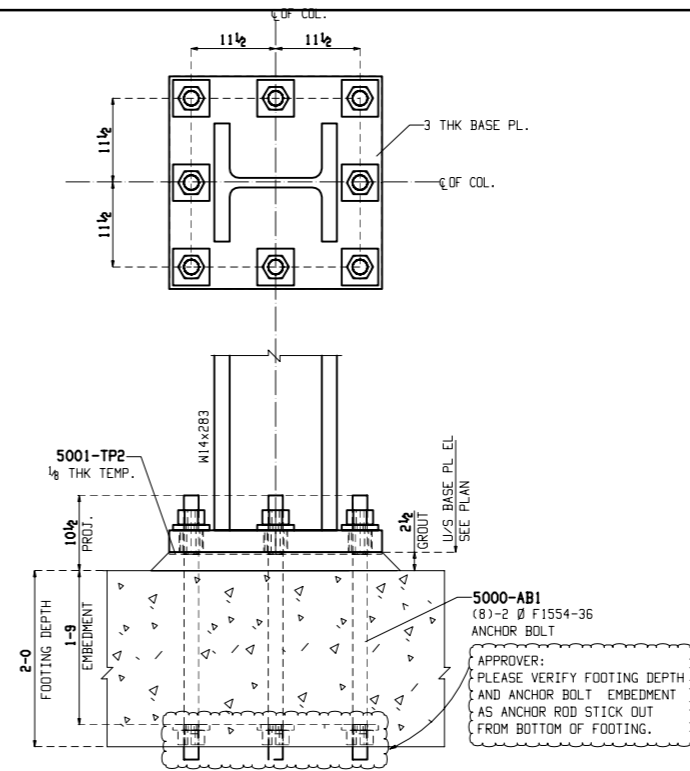
LEGEND:	
1. (8)-2-AB1	→ (AB.QTY.)-AB MARK
2. W14x132	→ COLUMN SIZE
3. 4-TP1	→ TEMP MARK
4. EL. -1-2	→ U/S BP ELEVATION
5. DET. 1	→ DETAIL DESIGNATION



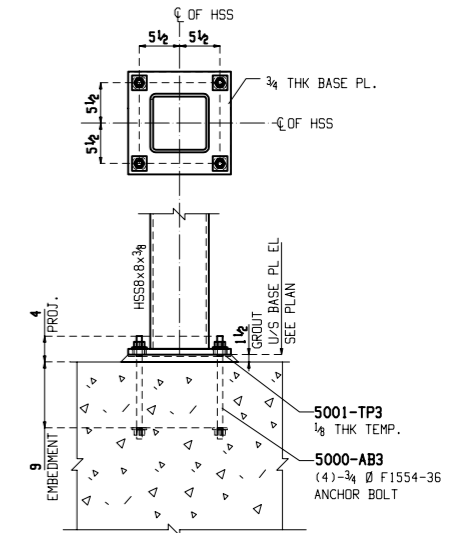
DETAIL
(REF:4/S1.3) 1



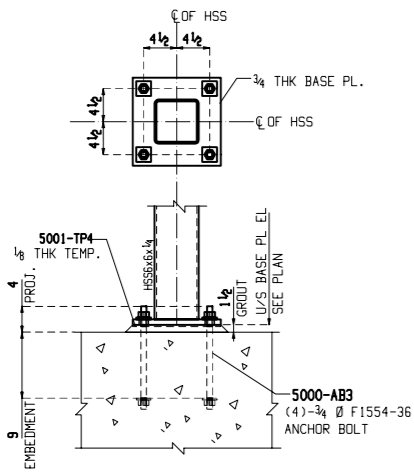
DETAIL
(REF:4/S1.3) 2



DETAIL
(REF:4/S1.3) 3



DETAIL
(REF:4/S1.3) 4



DETAIL
(REF:4/S1.3) 5

APPROVER:
PLEASE VERIFY ALL
CLOUDED ITEMS